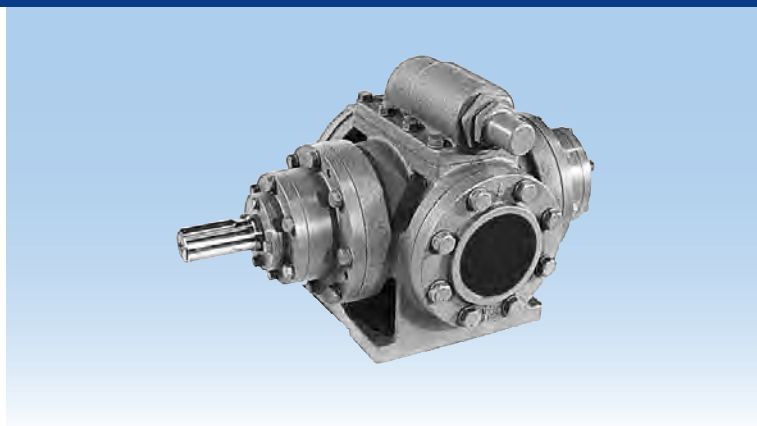


## 4MB-4A

(BASE-COUPLING MOUNT TYPE)

## 4A

(PUMPHEAD)



### Model Numbering System (For General Lubricant Oil)

**TOP-4MB** ① ② - 6 - ③ ④ **VB** Relief Valve Set Pressure

If motor other than for 200V 50Hz/200-220V 60Hz is required, please specify your desired voltage and frequency.  
Note: Indicated at the end of model number in 0.1 MPa units

<p><b>Motor Manufacturer</b> M (Mitsubishi) T (Toshiba)</p>	<p><b>Motor Output</b> 5500/7500/ 11000/15000 Note: "IE3" is added at the end of model no.</p>	<p><b>Model</b> 4300A/4500A</p>	<p><b>Rotation Direction</b> Note: When viewed from pump shaft end (motor side) Non: Clockwise L: Counter-clockwise</p>
---	--	-------------------------------------	---

### Model Numbering System (Pumphead)

**TOP-** ① ② **VB** Relief Valve Set Pressure

Note: Indicated at the end of model number in 0.1 MPa units

<p><b>Model</b> 4300A/4500A</p>	<p><b>Rotation Direction</b> Note: When viewed from pump shaft end Non: Clockwise L: Counter-clockwise</p>
-------------------------------------	--

### Specifications

Model	Item	Theoretical displacement (cm <sup>3</sup> /rev)	Max. pressure (MPa)	Max. revolution (min <sup>-1</sup> )	Approx. Weight (Kg)
<b>TOP-4300AVB</b>		349.8	1.0	1200	120.0
<b>TOP-4500AVB</b>		580.8	1.0	1200	125.0

• Test oil: ISO-VG46/Oil temperature: 40C

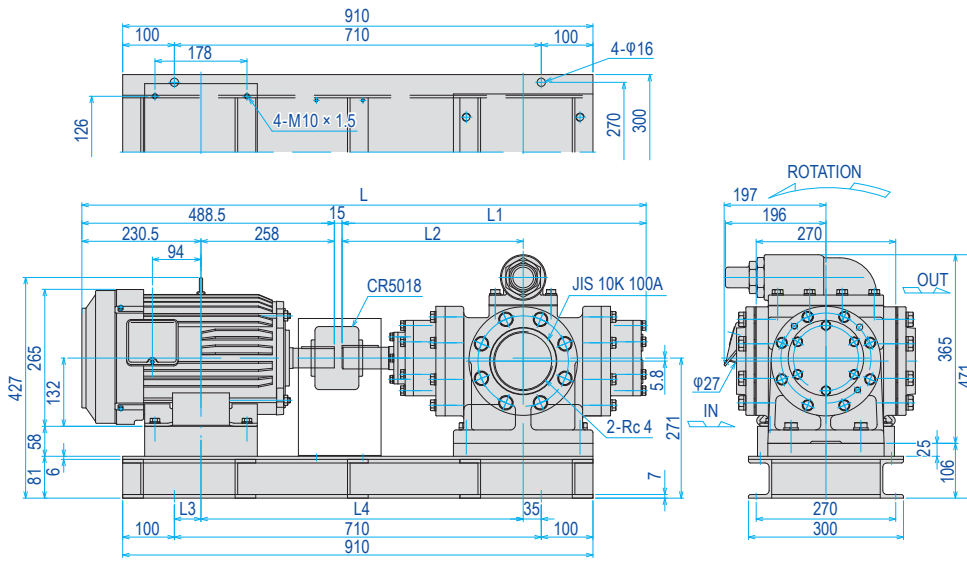
### Specifications

Model	Item	Motor speed 50Hz 1000min <sup>-1</sup>			Motor speed 60Hz 1200min <sup>-1</sup>				
		Theoretical discharge (ℓ/min)	Max. pressure for motor output (MPa)			Theoretical discharge (ℓ/min)	Max. pressure for motor output (MPa)		
			5500W	7500W	11000W		5500W	7500W	11000W
<b>TOP-4300AVB</b>		349.8	0.6	0.9	1.0	419.7	0.4	0.7	1.0
<b>TOP-4500AVB</b>		580.8	0.2	0.4	0.7	696.9	0.1	0.2	0.5

• Test oil: ISO-VG46/Oil temperature: 40C  
• Number of poles : 6P

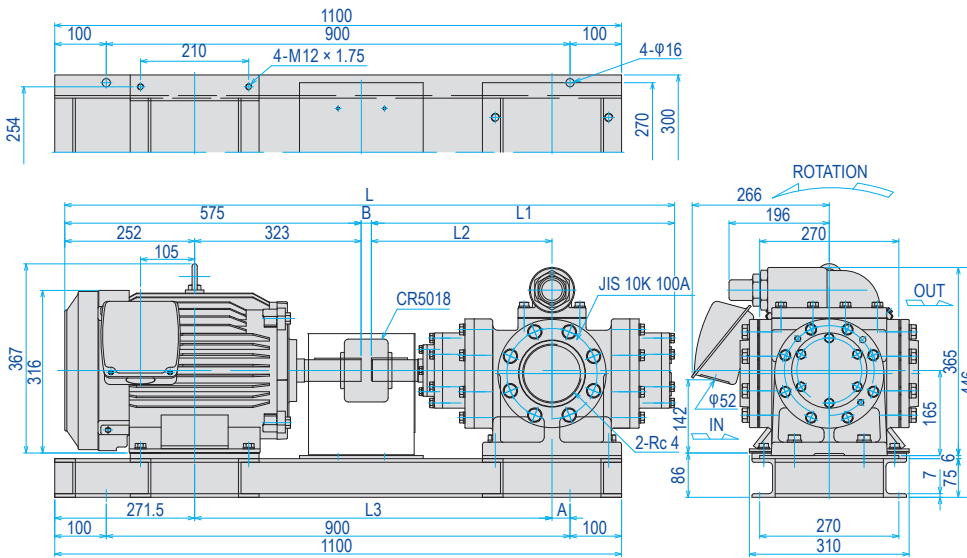
■ Dimensions (Typical) for 4MB-4A

Model : TOP-4MBM5500-6-4\*\*\*AVB IE3



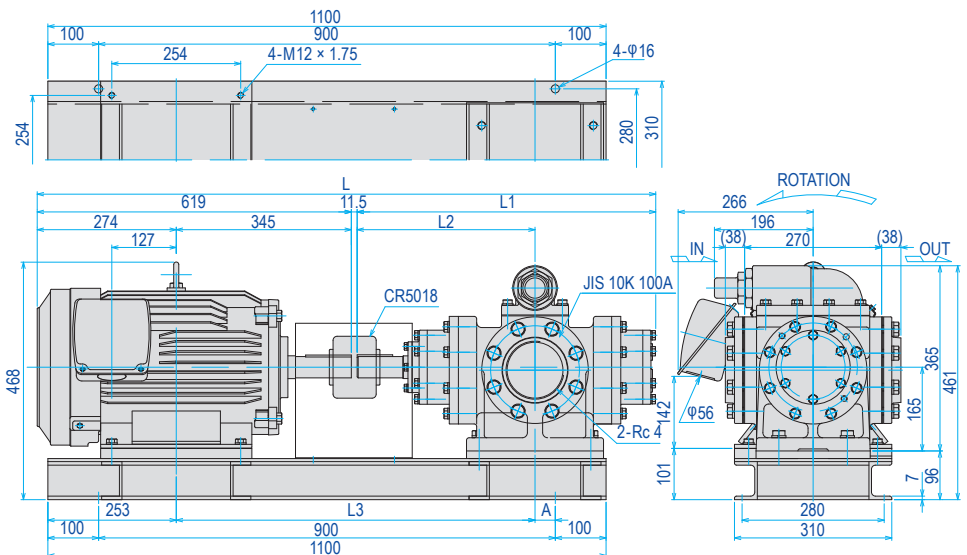
Model	Item	L	L1	L2
4300		1021.9	518.4	315.5
4500		1091.9	588.4	350.5
Model	Item	L3	L4	
4300		86.5	588.5	
4500		51.5	623.5	

Model : TOP-4MBM7500-6-4\*\*\*AVB IE3



Model	Item	L	L1	L2
4300		1108.4	518.4	315.5
4500		1183.4	588.4	350.5
Model	Item	L3	A	B
4300		653.5	75	15
4500		693.5	35	20

Model : TOP-4MBM11000-6-4\*\*\*AVB IE3

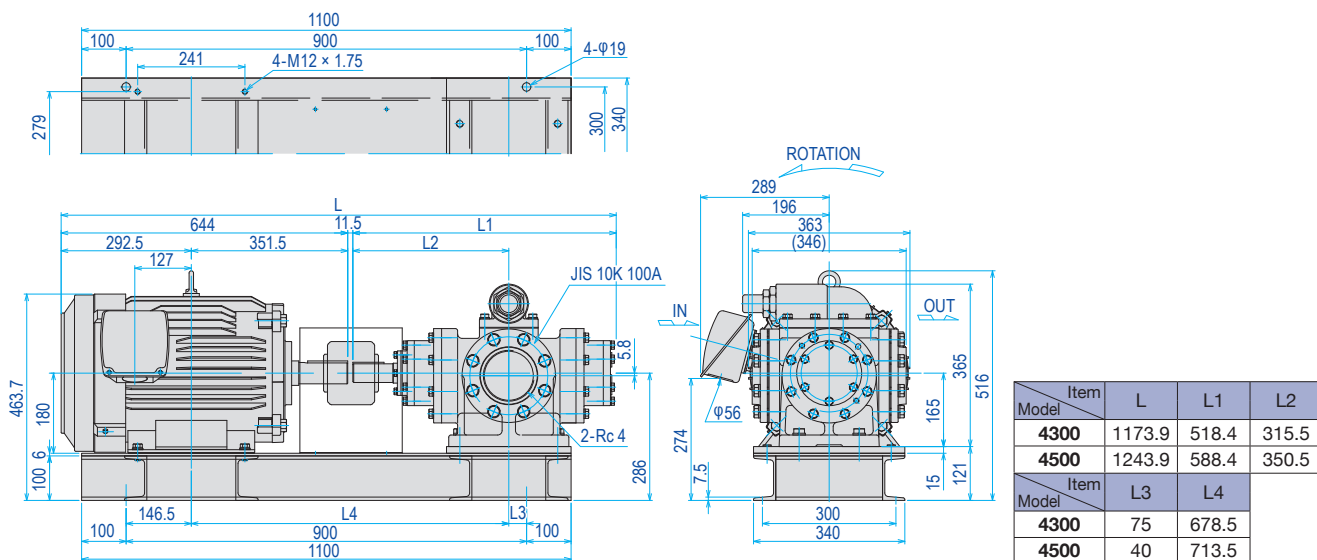


Model	Item	L	L1	L2
4300		1148.9	518.4	315.5
4500		1218.9	588.4	350.5
Model	Item	L3	A	
4300		672	75	
4500		707	40	

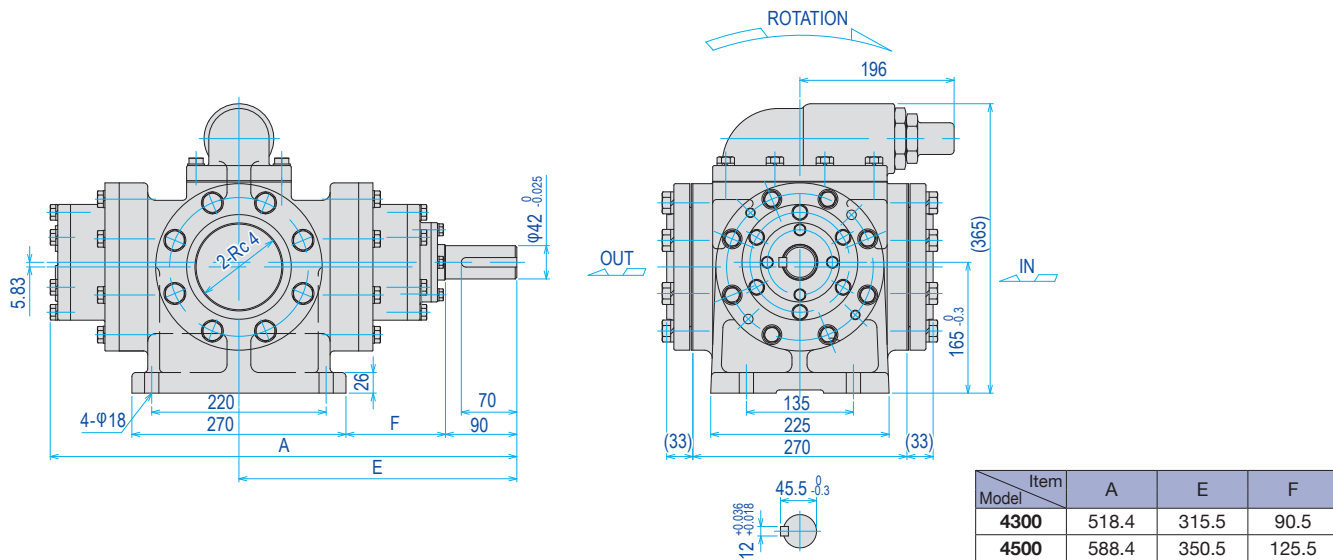
Any disassembly or alteration of the product will void the warranty.

■ Dimensions (Typical) for 4MB-4A/4A

Model : TOP-4MBM15000-6-4\*\*\*AVB IE3



Model : TOP-4\*\*\*AVB



Model : TOP-4\*\*\*ALVB

