

# 1PS

(OIL COOLING UNIT)



## Model Numbering System

1PS75 – 2 – 12MAVB – C①

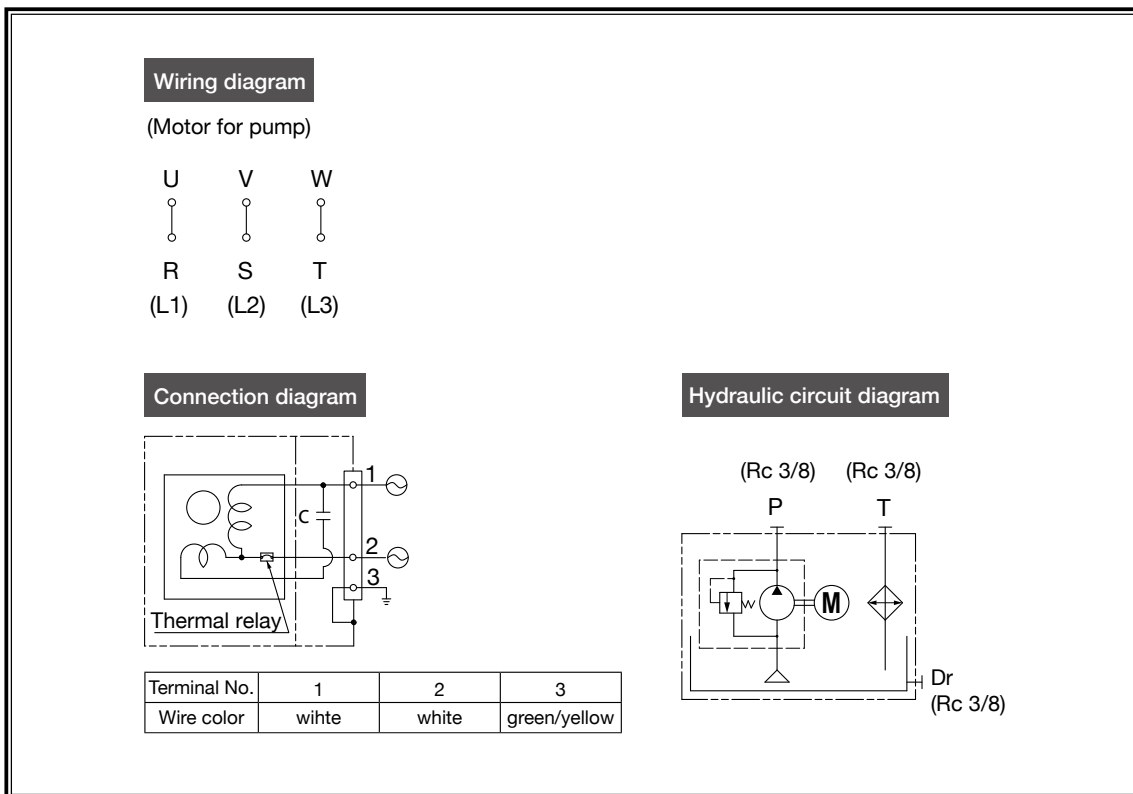
Output  
75

Model

23: Pump on the left (When viewed from level gauge side)  
24: Pump on the right (When viewed from level gauge side)

## Applications

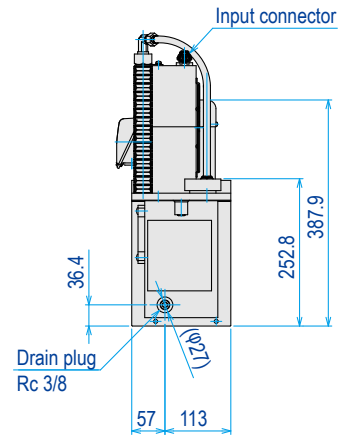
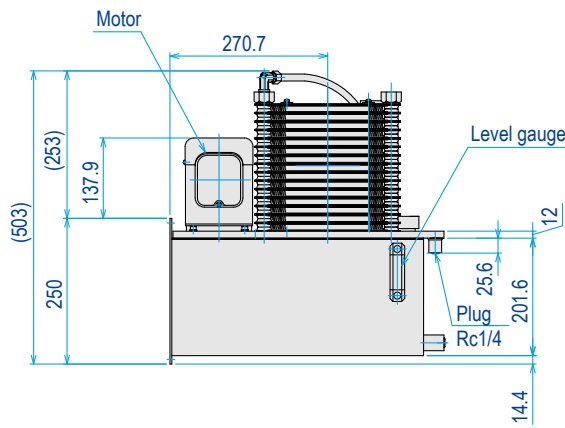
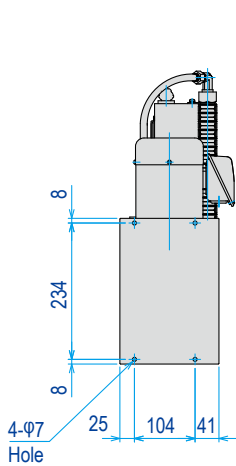
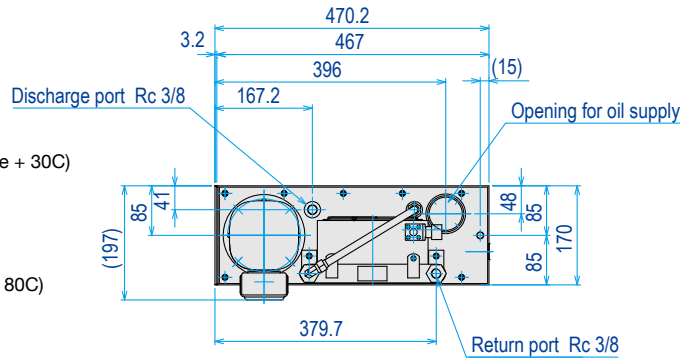
For cooling oil for machine tool and industrial equipment



■ Dimensions (Typical) for 1PS

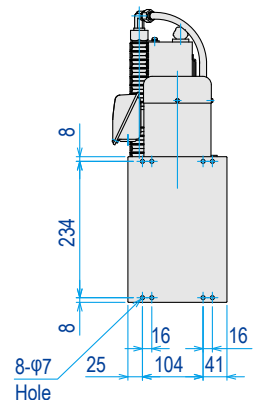
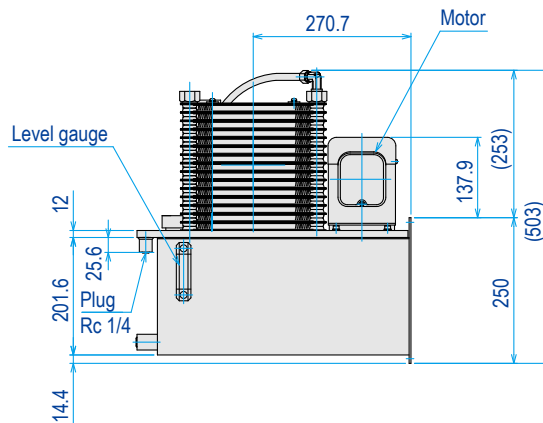
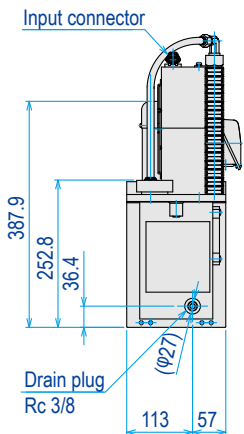
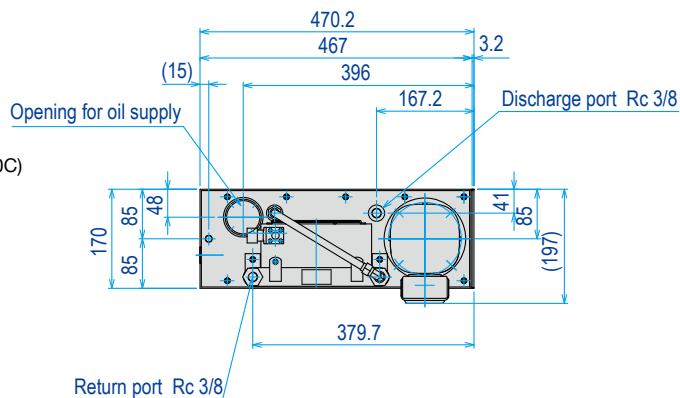
Model No.:1PS75-2-12MAVB-C23

**Pump model**  
TOP-12MAVB  
**Motor for pump**  
75W 4P 200V class  
**Heat exchange**  
Flow rate:3ℓ/min.  
1170kcal/h (Room temperature + 30C)  
**Tank capacity**  
Approximately 8ℓ (at 90%)  
Minimum oil quantity: 4ℓ  
**Viscosity range**  
500 mm<sup>2</sup>/s to 21 mm<sup>2</sup>/s (15 to 80C)



Model No.:1PS75-2-12MAVB-C24

**Pump model**  
TOP-12MAVB  
**Motor for pump**  
75W 4P 200V class  
**Heat exchange**  
Flow rate:3ℓ/min.  
1170kcal/h (Room temperature + 30C)  
**Tank capacity**  
Approximately 8ℓ (at 90%)  
Minimum oil quantity: 4ℓ  
**Viscosity range**  
500 mm<sup>2</sup>/s to 21 mm<sup>2</sup>/s (15 to 80C)



Any disassembly or alteration of the product will void the warranty.