

## 1RA

(PUMPHEAD, REVERSIBLE)

## 2RA

(PUMPHEAD, REVERSIBLE)



### Model Numbering System (For General Lubricant Oil)

TOP-1RA – ①

Model  
100/200/300

### Specifications

Model \ Item	Theoretical displacement (cm <sup>3</sup> /rev)	Theoretical discharge (ℓ/min)		Max. pressure (MPa)	Max. revolution (min <sup>-1</sup> )	Approx. weight (kg)
		1500min <sup>-1</sup>	1800min <sup>-1</sup>			
<b>TOP-1RA-100</b>	1.1	1.6	2.0	0.5	2000	1.1
<b>TOP-1RA-200</b>	1.8	2.7	3.2	0.5	2000	1.2
<b>TOP-1RA-300</b>	2.5	3.7	4.5	0.5	2000	1.3

• Test oil: ISO-VG46/Oil temperature: 40C

### Model Numbering System (For General Lubricant Oil)

TOP-2RA – ①

Model  
4C/8C/12C

### Specifications

Model \ Item	Theoretical displacement (cm <sup>3</sup> /rev)	Theoretical discharge (ℓ/min)		Max. pressure (MPa)	Max. revolution (min <sup>-1</sup> )	Approx. weight (kg)
		1500min <sup>-1</sup>	1800min <sup>-1</sup>			
<b>TOP-2RA-4C</b>	4.0	6.0	7.2	0.5	2000	3.9
<b>TOP-2RA-8C</b>	8.0	12.0	14.4	0.5	2000	4.2
<b>TOP-2RA-12C</b>	12.0	18.0	21.6	0.5	1800	4.5

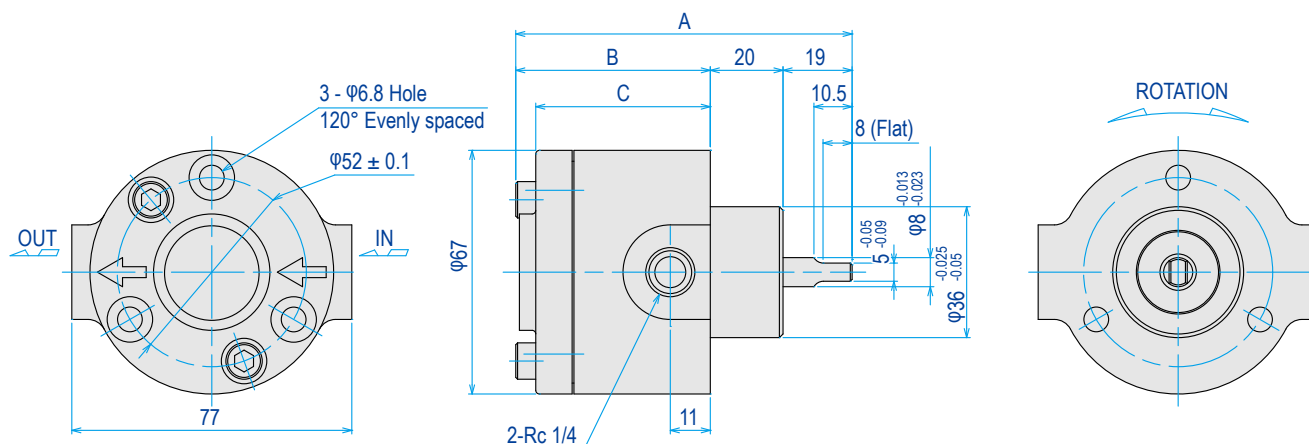
• Test oil: ISO-VG46/Oil temperature: 40C

Regardless of forward or reverse rotation, an oil always flows in the same direction.

When the pump rotation is reversed, a reversing ring within which rotors are mounted will also rotate following the rotation direction by 180° degrees and thereby reverse the eccentricity of the pump. Because of that, pumping flow direction always stay the same regardless of its rotation direction.

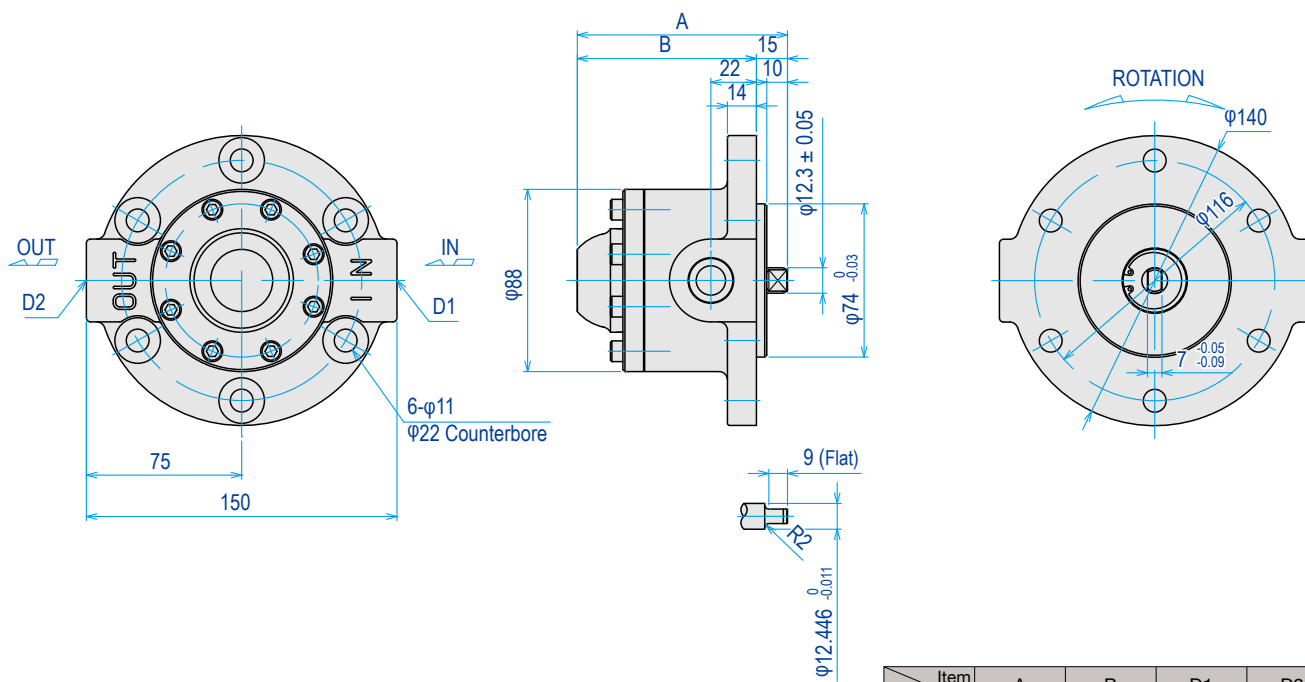
■ Dimensions (Typical) for 1RA/2RA

Model : TOP-1RA\*\*\*



Item	A	B	C
Model 100	84.5	45.5	40
200	88.5	49.5	44
300	92.5	53.5	48

Model : TOP-2RA-★C



Item	A	B	D1	D2
Model 100	91.5	76.5	Rc 1/2	Rc 3/8
200	101.5	86.5	Rc 3/4	Rc 1/2
300	111.5	96.5	Rc 3/4	Rc 3/4

Any disassembly or alteration of the product will void the warranty.