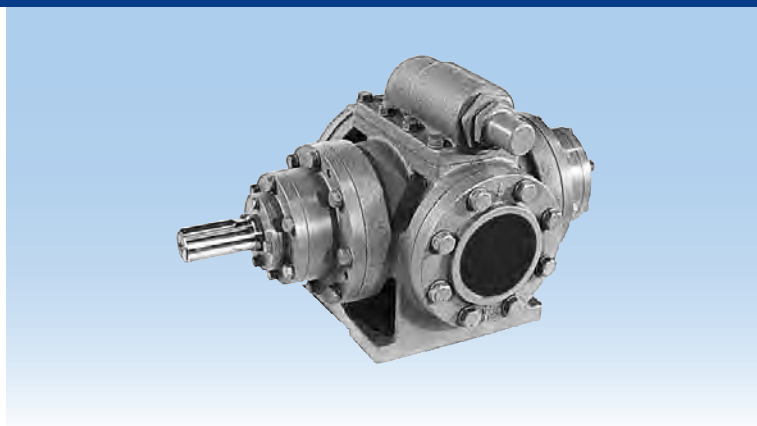


4MB-4A

(BASE-COUPLING MOUNT TYPE)

4A

(PUMPHEAD)



Model Numbering System (For General Lubricant Oil)

TOP-4MB ① ② - 6 - ③ ④ **VB** Relief Valve Set Pressure

If motor other than for 200V 50Hz/200-220V 60Hz is required, please specify your desired voltage and frequency.
Note: Indicated at the end of model number in 0.1 MPa units

<p>Motor Manufacturer M (Mitsubishi) T (Toshiba)</p>	<p>Motor Output 5500/7500/ 11000/15000 Note: "IE3" is added at the end of model no.</p>	<p>Model 4300A/4500A</p>	<p>Rotation Direction Note: When viewed from pump shaft end (motor side) Non: Clockwise L: Counter-clockwise</p>
---	--	-------------------------------------	---

Model Numbering System (Pumphead)

TOP- ① ② **VB** Relief Valve Set Pressure

Note: Indicated at the end of model number in 0.1 MPa units

<p>Model 4300A/4500A</p>	<p>Rotation Direction Note: When viewed from pump shaft end Non: Clockwise L: Counter-clockwise</p>
-------------------------------------	--

Specifications

Model	Item	Theoretical displacement (cm ³ /rev)	Max. pressure (MPa)	Max. revolution (min ⁻¹)	Approx. Weight (Kg)
TOP-4300AVB		349.8	1.0	1200	120.0
TOP-4500AVB		580.8	1.0	1200	125.0

• Test oil: ISO-VG46/Oil temperature: 40C

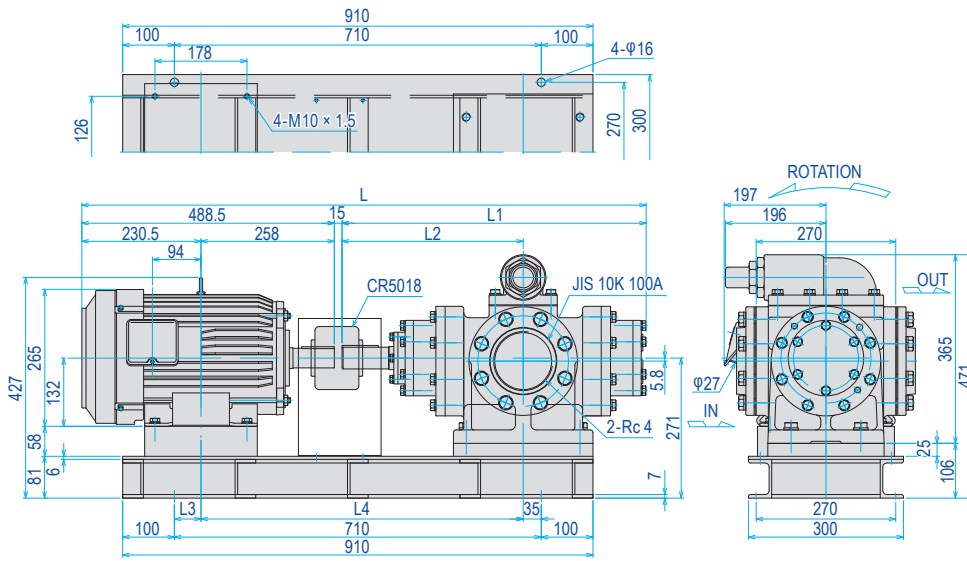
Specifications

Model	Item	Motor speed 50Hz 1000min ⁻¹			Motor speed 60Hz 1200min ⁻¹				
		Theoretical discharge (ℓ/min)	Max. pressure for motor output (MPa)			Theoretical discharge (ℓ/min)	Max. pressure for motor output (MPa)		
			5500W	7500W	11000W		5500W	7500W	11000W
TOP-4300AVB		349.8	0.6	0.9	1.0	419.7	0.4	0.7	1.0
TOP-4500AVB		580.8	0.2	0.4	0.7	696.9	0.1	0.2	0.5

• Test oil: ISO-VG46/Oil temperature: 40C
• Number of poles : 6P

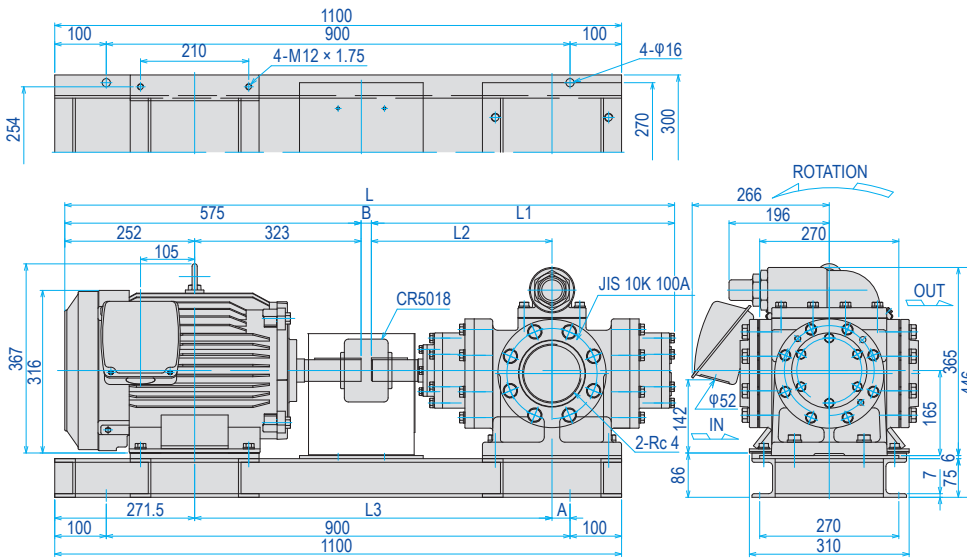
■ Dimensions (Typical) for 4MB-4A

Model : TOP-4MBM5500-6-4***AVB IE3



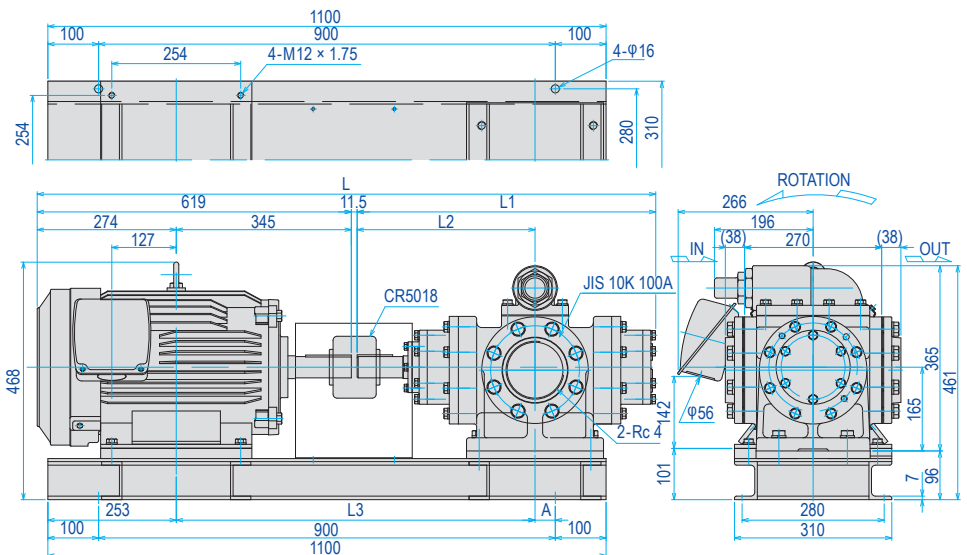
Model	Item	L	L1	L2
4300		1021.9	518.4	315.5
4500		1091.9	588.4	350.5
Model	Item	L3	L4	
4300		86.5	588.5	
4500		51.5	623.5	

Model : TOP-4MBM7500-6-4***AVB IE3



Model	Item	L	L1	L2
4300		1108.4	518.4	315.5
4500		1183.4	588.4	350.5
Model	Item	L3	A	B
4300		653.5	75	15
4500		693.5	35	20

Model : TOP-4MBM11000-6-4***AVB IE3

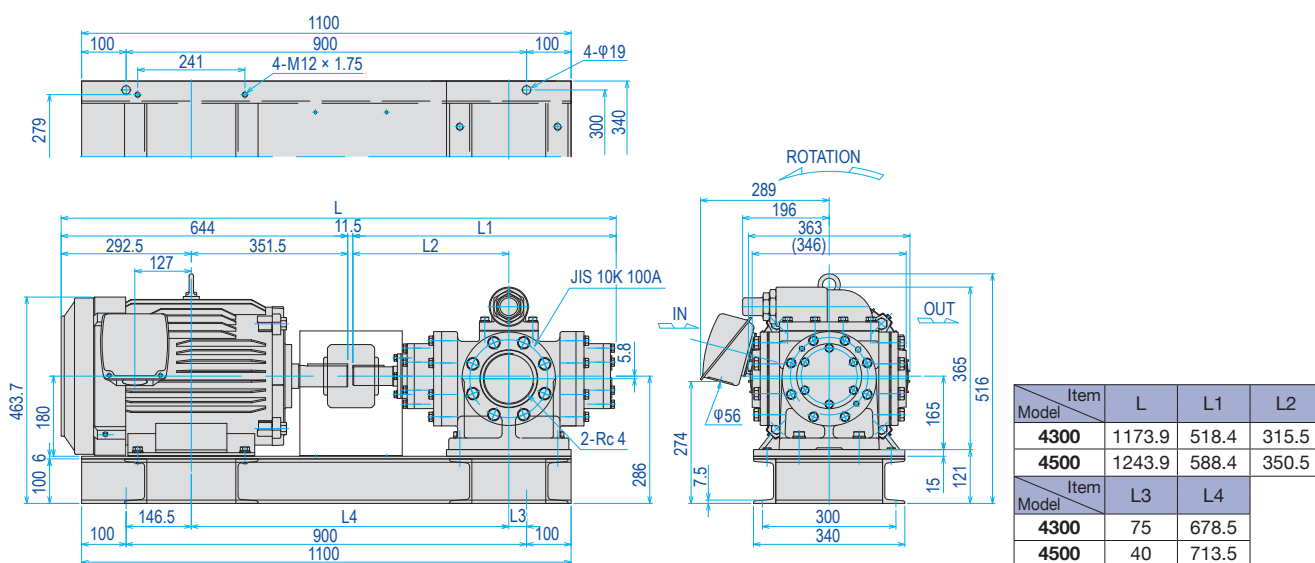


Model	Item	L	L1	L2
4300		1148.9	518.4	315.5
4500		1218.9	588.4	350.5
Model	Item	L3	A	
4300		672	75	
4500		707	40	

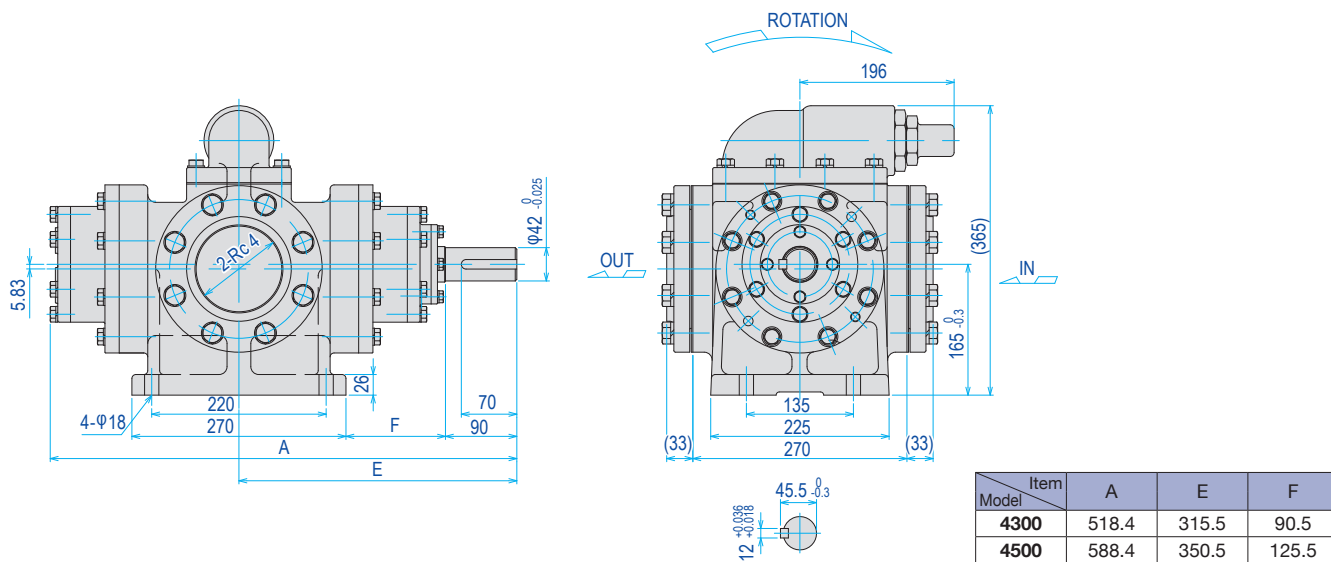
Any disassembly or alteration of the product will void the warranty.

■ Dimensions (Typical) for 4MB-4A/4A

Model : TOP-4MBM15000-6-4***AVB IE3



Model : TOP-4***AVB



Model : TOP-4***ALVB

