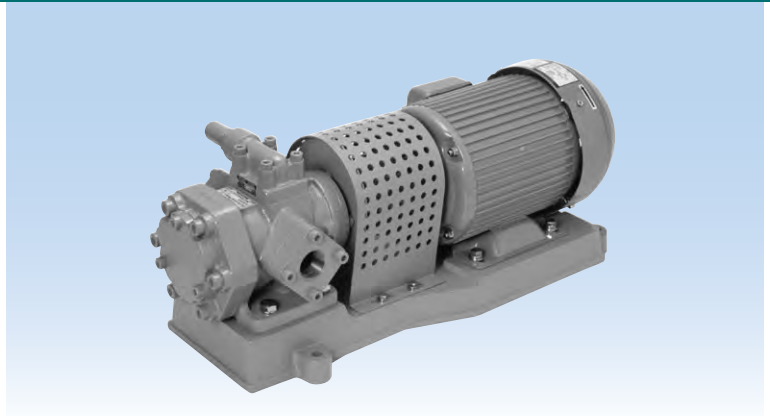


3MB-N3H

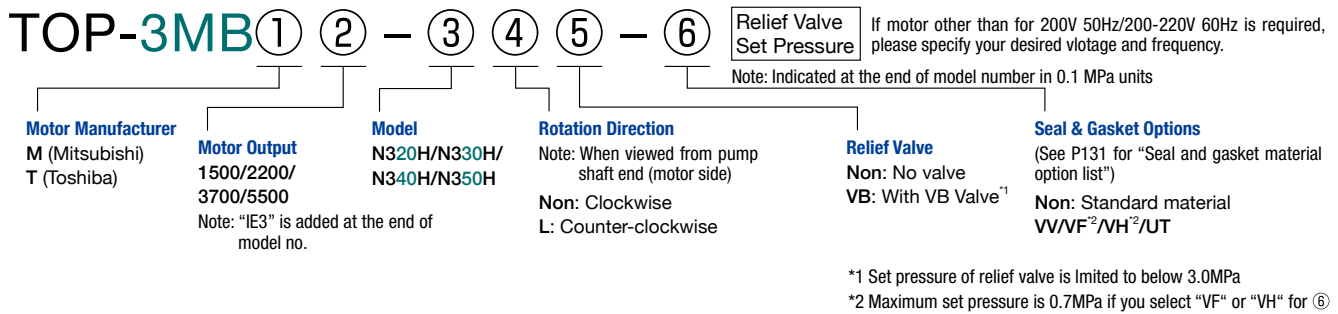
(BASE-COUPLING MOUNT TYPE)

N3H

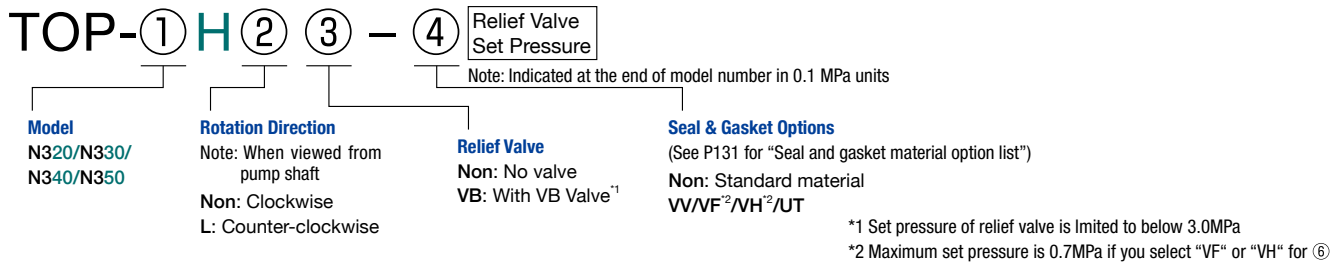
(PUMPHEAD)



Model Numbering System (For General Lubricant Oil)



Model Numbering System (Pumphead)



Specifications

Note: The value^{**} can not always be achieved as it is subject to individual operating conditions and specifications.

Model	Item	Theoretical displacement (cm ³ /rev)	Theoretical discharge (ℓ/min)		Max. pressure (MPa)	Max. revolution (min ⁻¹)	Approx. Weight (Kg)
			1500min ⁻¹	1800min ⁻¹			
TOP-N320H		26.0	39.0	46.8	4.0	1800	14.8 (15.4)
TOP-N330H		39.0	58.5	70.2	4.0*	1800	14.9 (15.5)
TOP-N340H		52.0	78.0	93.6	3.0*	1800	14.9 (15.5)
TOP-N350H		65.0	97.5	117.0	2.0*	1800	15.6 (16.2)

- Test oil: ISO-VG46/Oil temperature: 40C
- Values in () show approx. weights of the pump when the valve is attached.
- TOP-N3H is the updated series of TOP-3H. It is also compatible with the old series in performance and mounting dimensions.

Specifications

Note: The value^{**} can not always be achieved as it is subject to individual operating conditions and specifications.

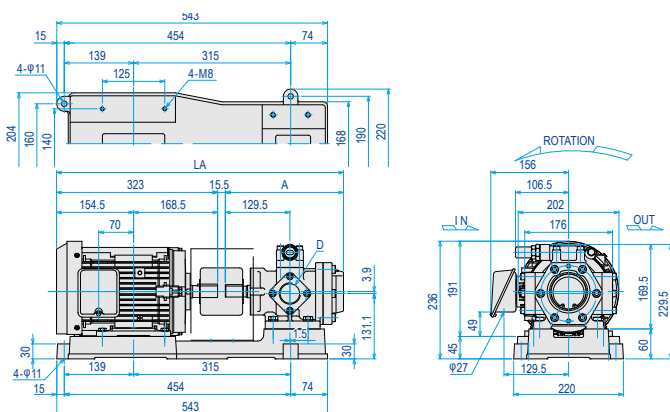
Model	Item	Motor speed 50Hz 1500min ⁻¹				Motor speed 60Hz 1800min ⁻¹					
		Theoretical discharge (ℓ/min)	Max. pressure for motor output (MPa)				Theoretical discharge (ℓ/min)	Max. pressure for motor output (MPa)			
			1500W	2200W	3700W	5500W		1500W	2200W	3700W	5500W
TOP-N320H		39.0	1.3	2.2	4.0	4.0	46.8	1.0	1.7	3.2	4.0
TOP-N330H		58.5	0.8	1.4	2.6	4.0*	70.2	0.5	1.0	2.1	3.3
TOP-N340H		78.0	0.5	0.9	1.8	3.0*	93.6	0.3	0.6	1.4	2.3
TOP-N350H		97.5	0.3	0.7	1.4	2.0*	117.0	0.1	0.4	1.0	1.8

- Test oil: ISO-VG46/Oil temperature: 40C
- TOP-N3H is the updated series of TOP-3H. It is also compatible with the old series in performance and mounting dimensions.

Any disassembly or alteration of the product will void the warranty.

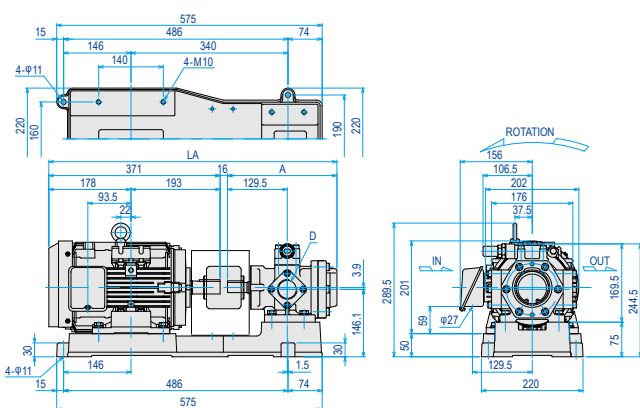
■ Dimensions (Typical) for 3MB-N3H

Model : TOP-3MBT1500-N3**HVB** IE3



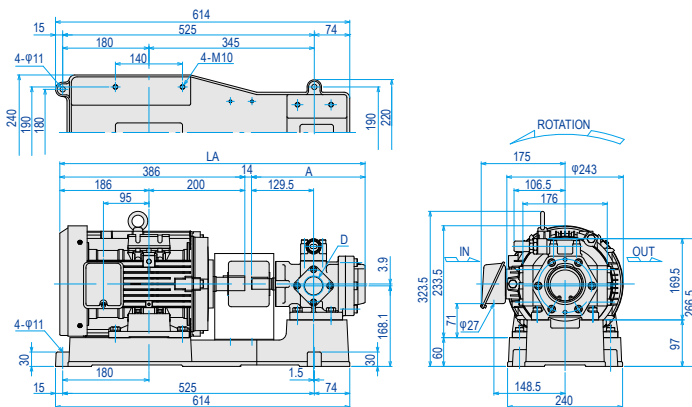
Item Model	LA	A	D	
			INLET	OUTLET
320	575.5	237	Rc 1	Rc 1
330	575.5	237	Rc 1 1/4	
340	575.5	237		
350	585.5	247		

Model : TOP-3MBT2200-N3**HVB** IE3



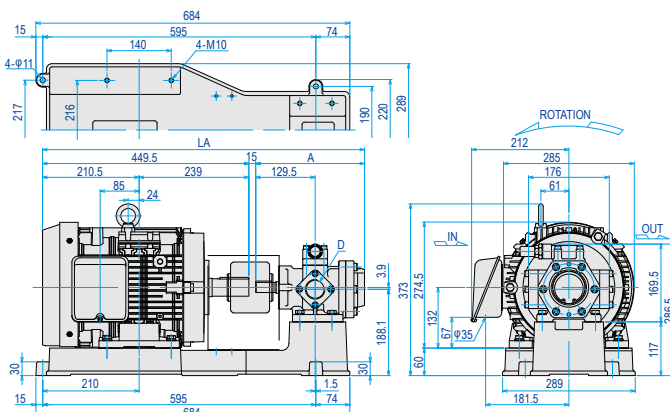
Item Model	LA	A	D	
			INLET	OUTLET
320	624	237	Rc 1	Rc 1
330	624	237	Rc 1 1/4	
340	624	237		
350	634	247		

Model : TOP-3MBT3700-N3**HVB** IE3



Item Model	LA	A	D	
			INLET	OUTLET
320	637	237	Rc 1	Rc 1
330	637	237	Rc 1 1/4	
340	637	237		
350	647	247		

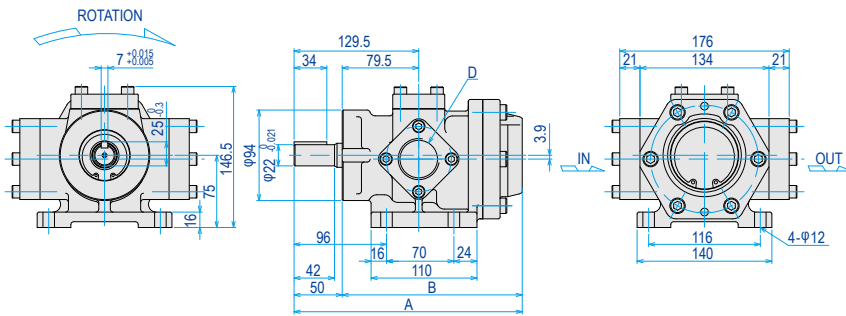
Model : TOP-3MBT5500-N3**HVB** IE3



Item Model	LA	A	D	
			INLET	OUTLET
320	701.5	237	Rc 1	Rc 1
330	701.5	237	Rc 1 1/4	
340	701.5	237		
350	711.5	247		

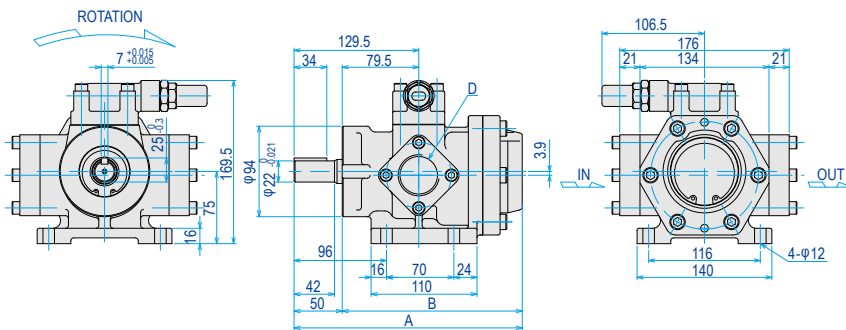
■ Dimensions (Typical) for N3H

Model : TOP-N3**H-**



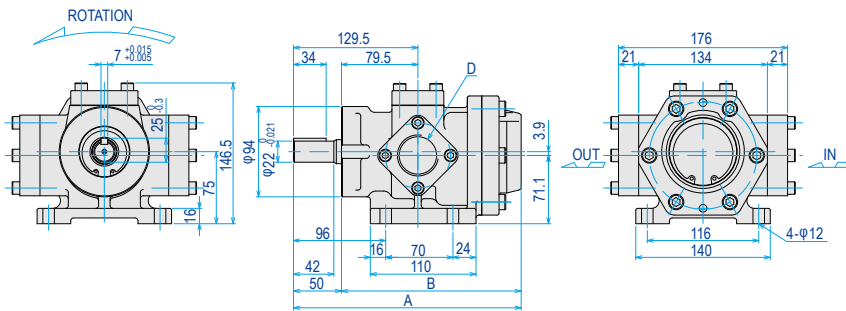
Model	Item	A	B	D	
				INLET	OUTLET
320		237	187	Rc 1	Rc 1
330		237	187	Rc 1 1/4	
340		237	187		
350		247	197		

Model : TOP-N3**HVB-**



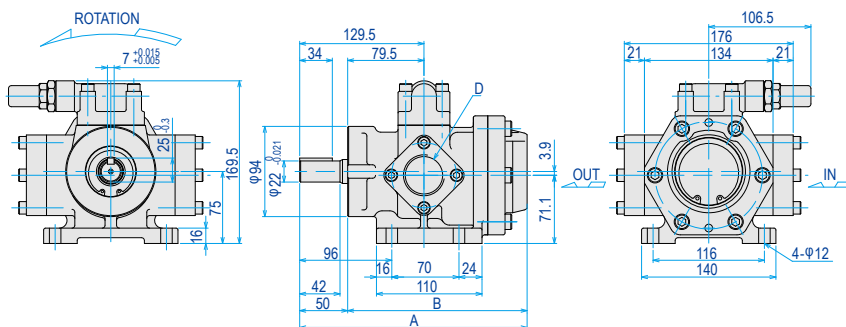
Model	Item	A	B	D	
				INLET	OUTLET
320		237	187	Rc 1	Rc 1
330		237	187	Rc 1 1/4	
340		237	187		
350		247	197		

Model : TOP-N3**HL-**



Model	Item	A	B	D	
				INLET	OUTLET
320		237	187	Rc 1	Rc 1
330		237	187	Rc 1 1/4	
340		237	187		
350		247	197		

Model : TOP-N3**HLVB-**



Model	Item	A	B	D	
				INLET	OUTLET
320		237	187	Rc 1	Rc 1
330		237	187	Rc 1 1/4	
340		237	187		
350		247	197		

Any disassembly or alteration of the product will void the warranty.