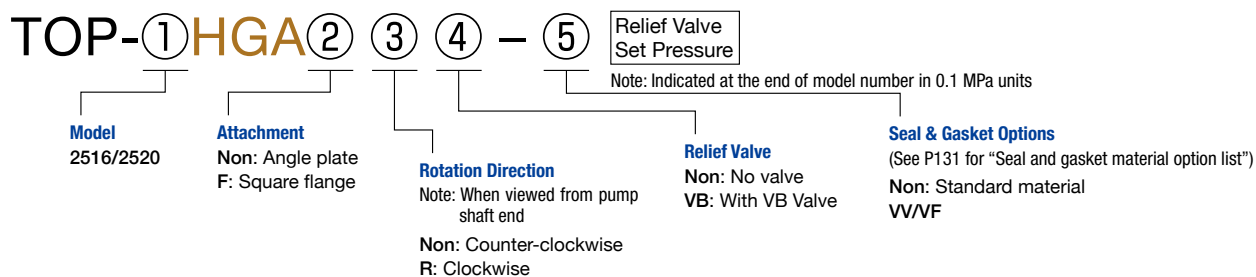


2.5HGA

(PUMPHEAD)



Model Numbering System



Specifications

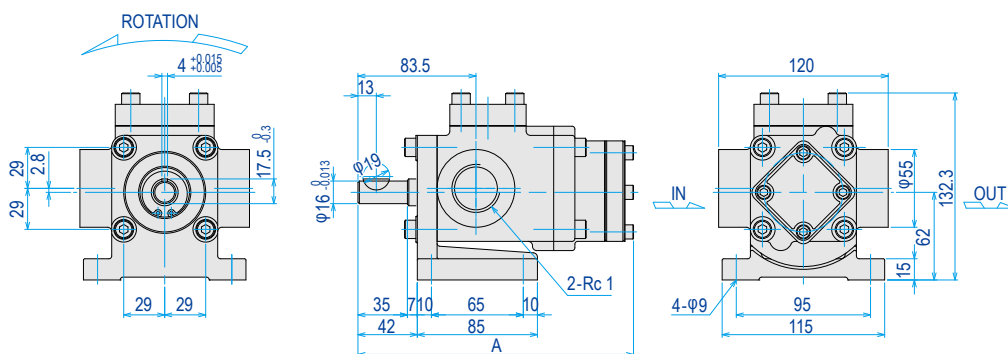
Model	Item	Theoretical displacement (cm ³ /rev)	Theoretical discharge (ℓ/min)		Max. pressure (MPa)	Max. revolution (min ⁻¹)	Approx. Weight (Kg)
			1500min ⁻¹	1800min ⁻¹			
TOP-2516HGA		16	24	28.8	2.5	2500	6.9 (7.5)
TOP-2520HGA		20	30	36.0	2.0	2000	7.2 (7.7)

- Test oil: ISO-VG46/Oil temperature: 40C
- Values in () show approx. weights of the pump when valve is attached.

Any disassembly or alteration of the product will void the warranty.

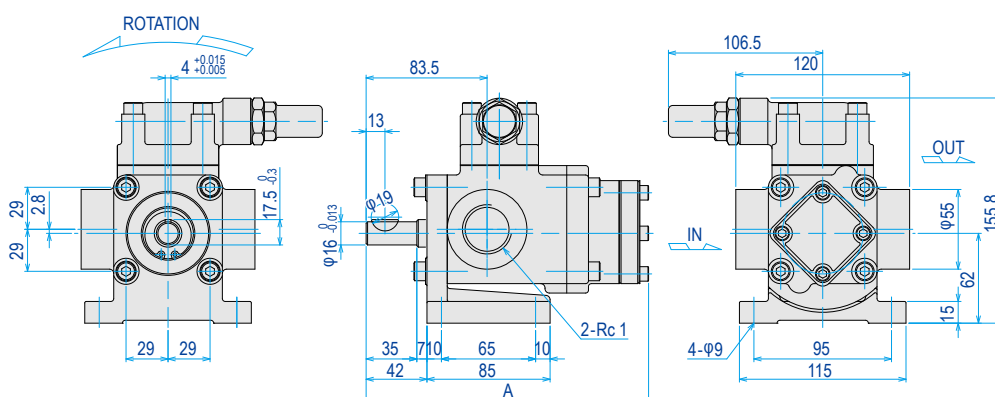
■ Dimensions (Typical) for 2.5HGA

Model : TOP-25**HGA-**



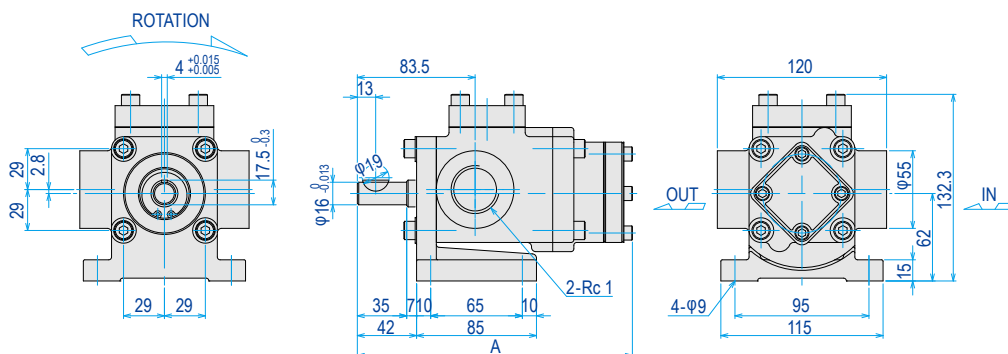
Model \ Item	A
2516	195
2520	201

Model : TOP-25**HGA VB-**



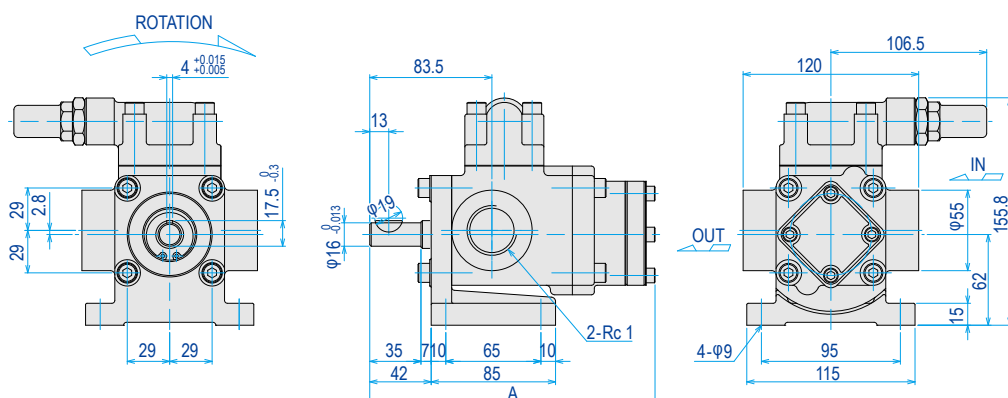
Model \ Item	A
2516	195
2520	201

Model : TOP-25**HGAR-**



Model \ Item	A
2516	195
2520	201

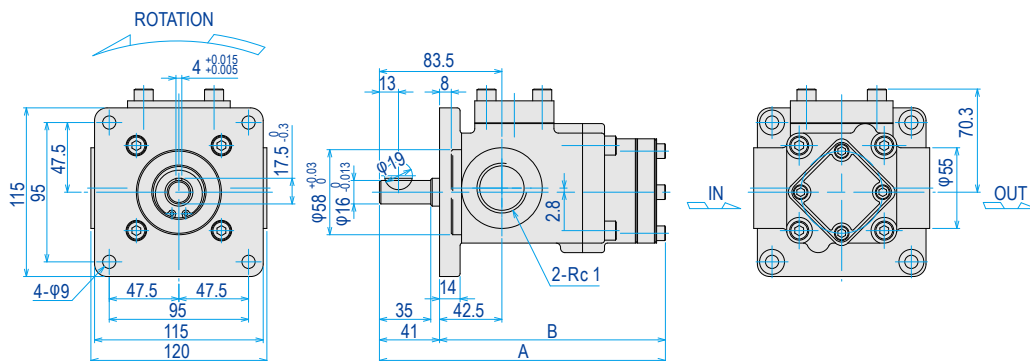
Model : 25**HGAR VB-**



Model \ Item	A
2516	195
2520	201

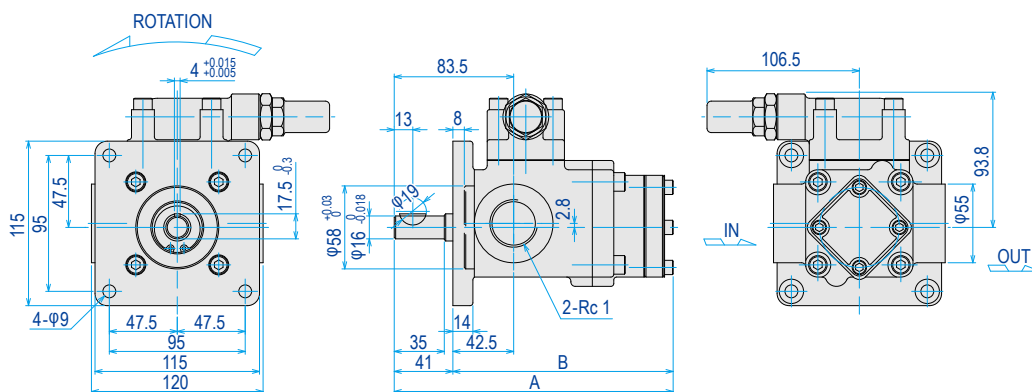
■ Dimensions (Typical) for 2.5HGA

Model : TOP-25**HGAF-**



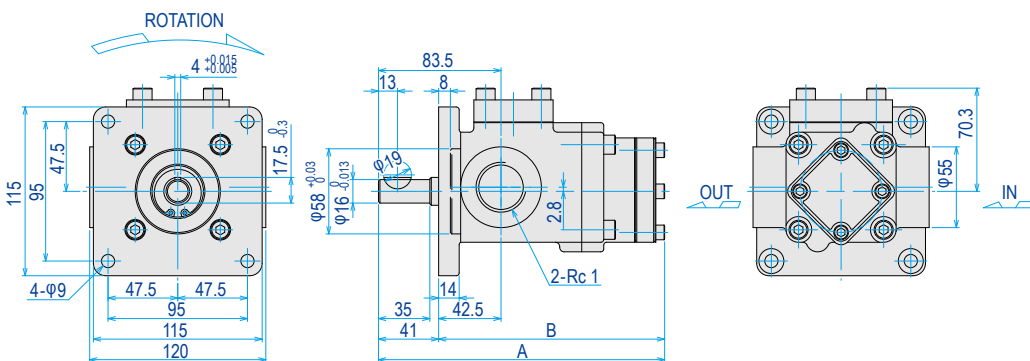
Item Model	A	B
2516	195	154
2520	201	160

Model : TOP-25**HGAFVB-**



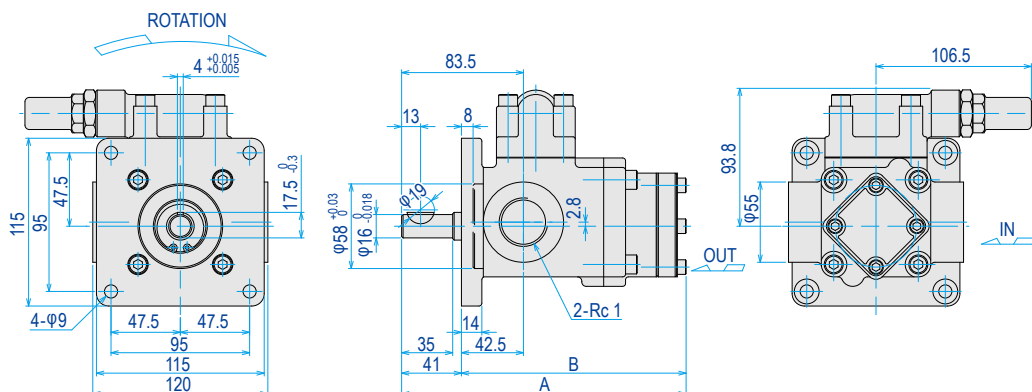
Item Model	A	B
2516	195	154
2520	201	160

Model : TOP-25**HGAFR-**



Item Model	A	B
2516	195	154
2520	201	160

Model : TOP-25**HGAFRVB-**



Item Model	A	B
2516	195	154
2520	201	160

Any disassembly or alteration of the product will void the warranty.