

1ME S

(WITH INTEGRATED SINGLE-PHASE MOTOR FOR EDIBLE OIL AT HIGH TEMPERATURE)



Model Numbering System (FOR CONTINUOUS OPERATION)

TOP-1ME200SH – ①MA② – BT

Model

Note: Pump integrated with motor
10/11/12/13

Relief Valve

Non: No valve
VB: With VB Valve
(Set pressure: Cracking 0.3 MPa)

Model Numbering System (FOR 30 MINUTE RATING)

TOP-1ME200S – 001 – ①MA② – BT

Model

Note: Pump integrated with motor
10/11/12/13

Relief Valve

Non: No valve
VB: With VB Valve
(Set pressure: Cracking 0.3 MPa)

Specifications

Item	Motor speed 50Hz 1500min ⁻¹		Motor speed 60Hz 1800min ⁻¹			
	Theoretical discharge (ℓ/min)	Max. pressure for motor output (MPa)		Theoretical discharge (ℓ/min)	Max. pressure for motor output (MPa)	
		200W			200W	
TOP-10MA	1.2	0.5		1.4	0.5	
TOP-11MA	2.2	0.5		2.7	0.5	
TOP-12MA	3.7	0.5		4.5	0.5	
TOP-13MA	6.7	0.5		8.1	0.5	

• Test oil: ISO-VG46/Oil temperature: 40C

Note: There are no models in 1ME series compatible with Increased safety standard and with terminal box attached on the other side.

Note: Fluoro rubber is used for seal material.

Motor Specifications

•Single-phase induction motor •Class E insulation •Protection level IP22

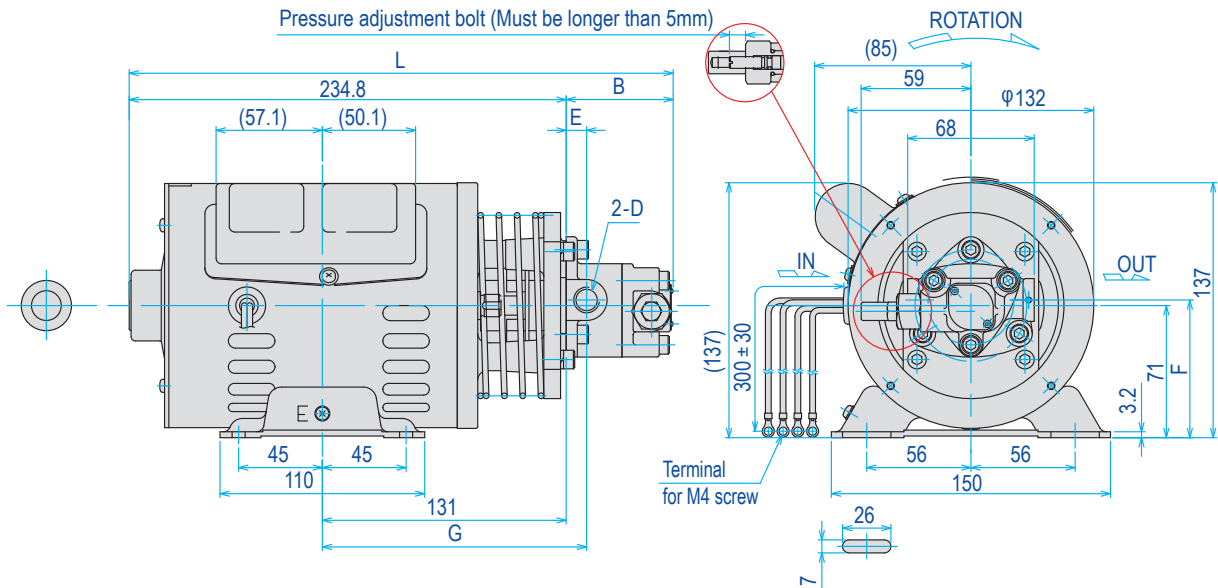
Output (W)	Number of poles (P)	Rating	Voltage (V)	Frequency (Hz)	Motor Speed (min ⁻¹)	Current (A)	Approx. Weight (Kg)
200SH	4	Cont	100	50 60	1450 1740	6.4 5.2	10
			200	50 60	1450 1740	3.2 2.6	
200S-001	4	30 Minute	100	50 60	1450 1740	6.4 5.2	8
			200	50 60	1450 1740	3.2 2.6	

• IME200S, 200SH is a condenser-starting type.

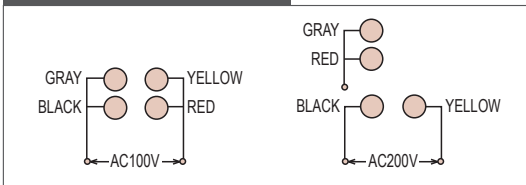
Any disassembly or alteration of the product will void the warranty.

■ Dimensions (Typical) for 1ME S (FOR EDIBLE OIL AT HIGH TEMPERATURE)

Model : TOP-1ME200SH-1*MAVB-BT

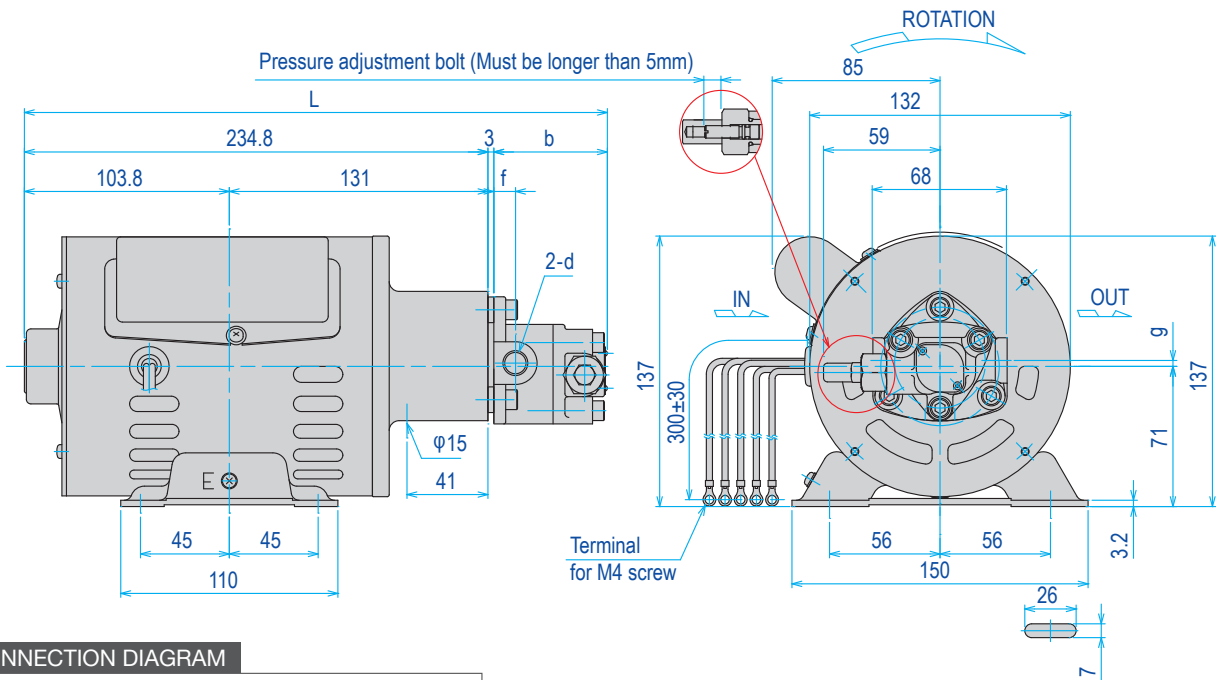


CONNECTION DIAGRAM

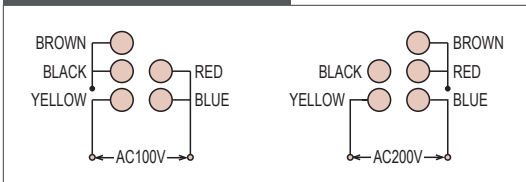


Item Model	L	B	D	E	F	G
10	286.3	51.5	Rc 1/8	11	74	142
11	286.3	51.5	Rc 1/8	11	74	142
12	292.3	57.5	Rc 1/4	11	74	142
13	307.3	72.5	Rc 3/8	14	76.5	145

Model : TOP-1ME200S-001*MAVB-BT



CONNECTION DIAGRAM



Item Model	L	b	d	f	g
10	289.3	51.5	Rc 1/8	11	3
11	289.3	51.5	Rc 1/8	11	3
12	295.3	57.5	Rc 1/4	11	3
13	310.3	72.5	Rc 3/8	14	5.5