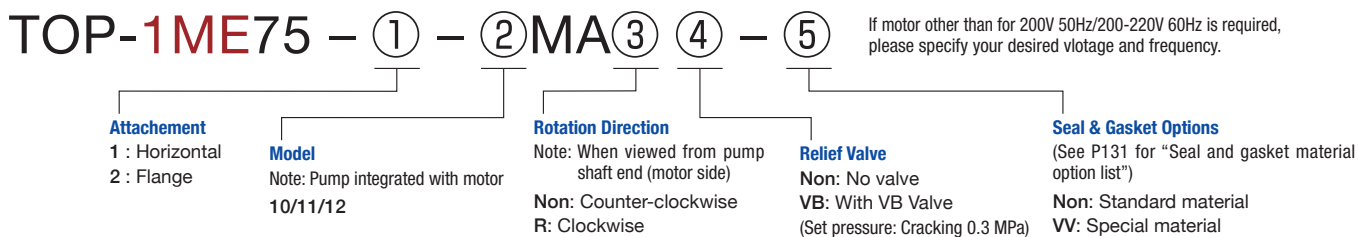


1ME

(WITH INTEGRATED 3-PHASE MOTOR)

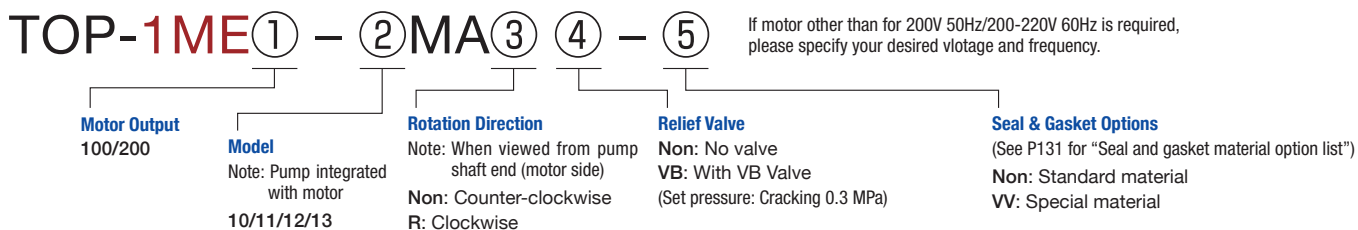


Model Numbering System



Note: Do not submerge TOP-IME75-2 under liquid. Install the pump with the motor side facing up.

Model Numbering System



Specifications

Model	Item	Motor speed 50Hz 1500min ⁻¹				Motor speed 60Hz 1800min ⁻¹			
		Theoretical discharge (ℓ/min)	Max. pressure for motor output (MPa)			Theoretical discharge (ℓ/min)	Max. pressure for motor output (MPa)		
			75W	100W	200W		75W	100W	200W
TOP-10MA		1.2	0.5	0.5	0.5	1.4	0.4	0.5	0.5
TOP-11MA		2.2	0.5	0.5	0.5	2.7	0.3	0.5	0.5
TOP-12MA		3.7	0.2	0.5	0.5	4.5	0.1	0.3	0.5
TOP-13MA		6.7	–	0.2	0.5	8.1	–	0.1	0.5

• Test oil: ISO-VG46/Oil temperature: 40C

Note: There are no models in 1ME series compatible with Increased safety standard and with terminal box attached on the other side. For outdoor use, please consult us.

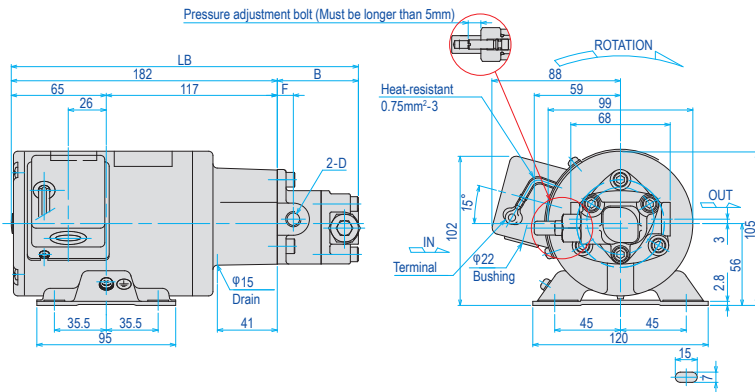
Motor Specifications •3-phase squirrel-cage induction motor •Totally enclosed •Class E insulation •Protection level IP44

Output (W)	Number of poles (P)	Rating	200V class				400V class				Approx. Weight (Kg)
			Voltage (V)	Frequency (Hz)	Motor Speed (min ⁻¹)	Current (A)	Voltage (V)	Frequency (Hz)	Motor Speed (min ⁻¹)	Current (A)	
75-1 (Horizontal)	4	Cont	200	50	1390	0.60	380	50	1360	0.27	5.0
			200	60	1660	0.55	400	50	1380	0.27	
			220	60	1690	0.57	400	60	1650	0.25	
75-2 (Flange)	4	Cont	200	50	1390	0.60	380	50	1390	0.30	5.5
			200	60	1660	0.55	400	50	1390	0.28	
			220	60	1690	0.57	400	60	1680	0.28	
100	4	Cont	200	50	1430	0.65	380	50	1430	0.35	7.0
			200	60	1720	0.60	400	50	1440	0.35	
			220	60	1730	0.60	400	60	1710	0.31	
200	4	Cont	200	50	1410	1.15	380	50	1420	0.60	7.0
			200	60	1690	1.10	400	50	1430	0.60	
			220	60	1710	1.05	400	60	1710	0.54	
						440	60	1720	0.55		

Any disassembly or alteration of the product will void the warranty.

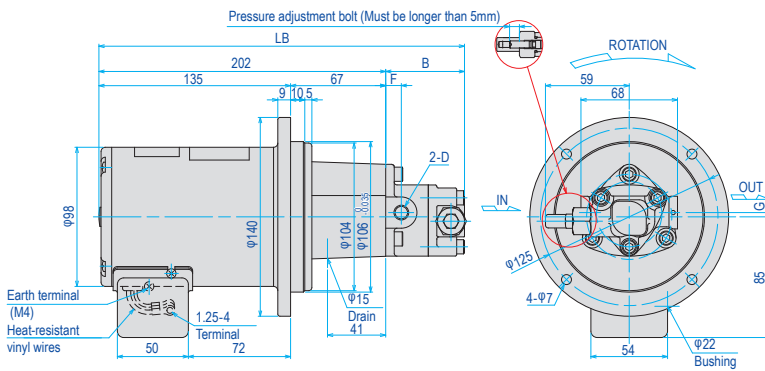
■ Dimensions (Typical) for 1ME

Model : TOP-1ME75-1-1*MAVB-**



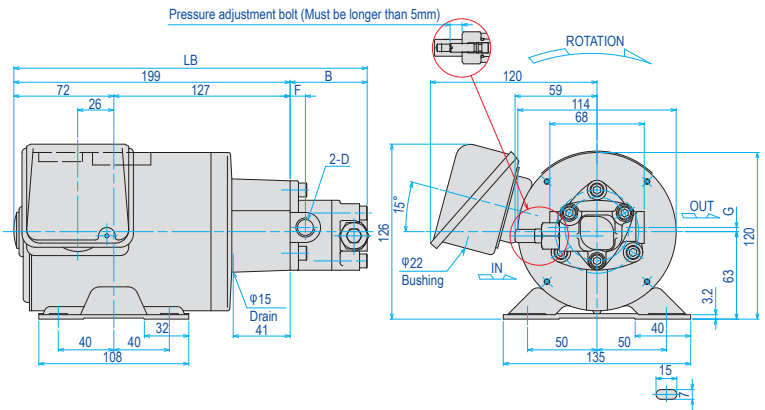
Model	Item	LB	B	D	F
10		231.5	49.5	Rc 1/8	11
11		231.5	49.5	Rc 1/8	11
12		237.5	55.5	Rc 1/4	11

Model : TOP-1ME75-2-1*MAVB-**



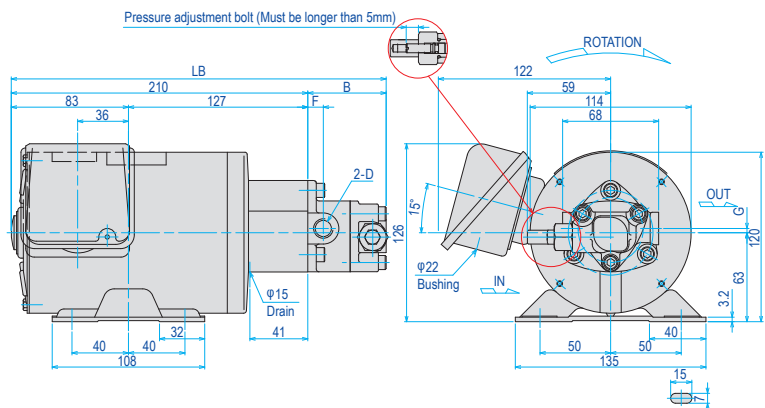
Model	Item	LB	B	D	F	G
10		251.5	49.5	Rc 1/8	11	3
11		251.5	49.5	Rc 1/8	11	3
12		257.5	55.5	Rc 1/4	11	3

Model : TOP-1ME100-1*MAVB-**



Model	Item	LB	B	D	F	G
10		248.5	49.5	Rc 1/8	11	3
11		248.5	49.5	Rc 1/8	11	3
12		254.5	55.5	Rc 1/4	11	3
13		269.5	70.5	Rc 3/8	14	5.5

Model : TOP-1ME200-1*MAVB-**



Model	Item	LB	B	D	F	G
10		259.5	49.5	Rc 1/8	11	3
11		259.5	49.5	Rc 1/8	11	3
12		265.5	55.5	Rc 1/4	11	3
13		280.5	70.5	Rc 3/8	14	5.5