

# 2MB

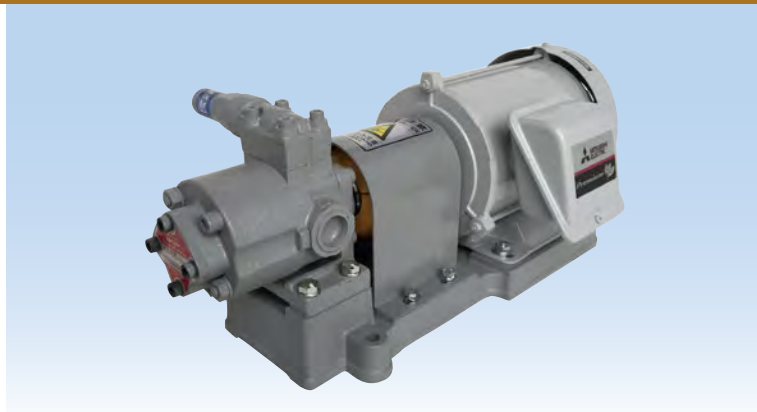
(BASE-COUPLING MOUNT TYPE)



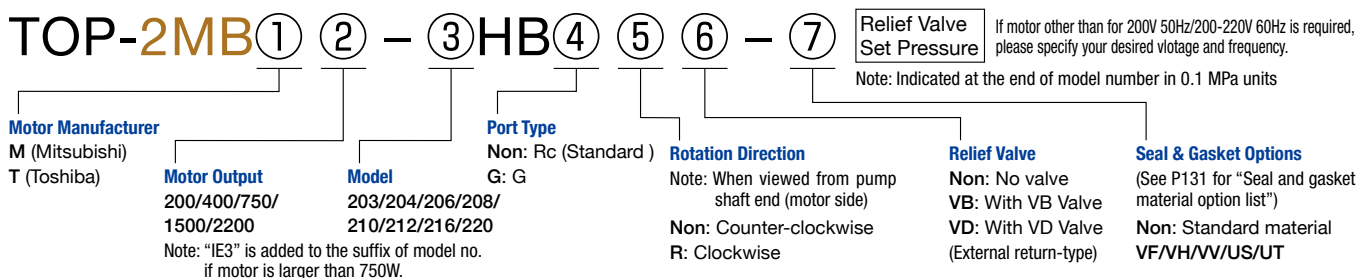
2HB



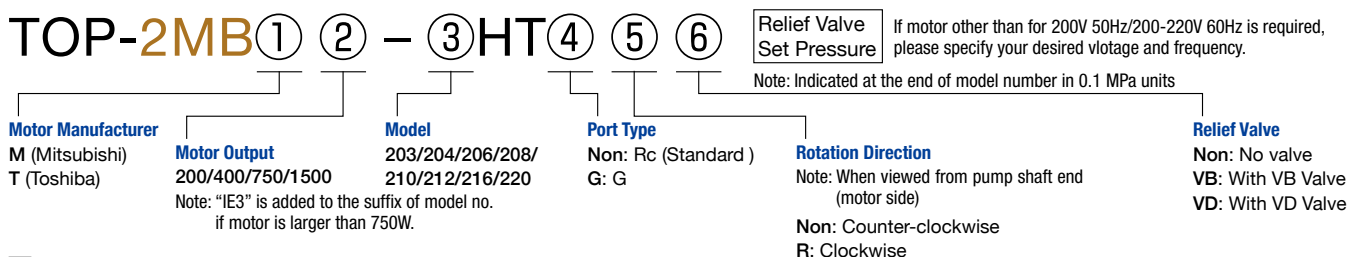
2HT



## Model Numbering System (For General Lubricant Oil)



## Model Numbering System (For Diesel Oil Kerosene Heavy Oil)



## Specifications

Model	Item	Motor speed 50Hz 1500min <sup>-1</sup>					Motor speed 60Hz 1800min <sup>-1</sup>						
		Theoretical discharge (ℓ/min)	Max. pressure for motor output (MPa)					Theoretical discharge (ℓ/min)	Max. pressure for motor output (MPa)				
			200W	400W	750W	1500W	2200W		200W	400W	750W	1500W	2200W
<b>TOP-203HB</b>		4.2	1.7	3.0	3.0	3.0	3.0	5.0	1.3	3.0	3.0	3.0	3.0
<b>TOP-204HB</b>		6.0	1.2	3.0	3.0	3.0	3.0	7.2	0.9	2.3	3.0	3.0	3.0
<b>TOP-206HB</b>		9.0	0.7	1.8	2.5	2.5	2.5	10.8	0.5	1.4	2.5	2.5	2.5
<b>TOP-208HB</b>		12.0	0.5	1.3	2.5	2.5	2.5	14.4	0.3	1.0	2.3	2.5	2.5
<b>TOP-210HB</b>		15.0	0.4	1.1	2.5	2.5	2.5	18.0	0.3	0.9	2.0	2.5	2.5
<b>TOP-212HB</b>		18.0	0.3	0.9	2.0	2.0	2.0	21.6	-	0.7	1.6	2.0	2.0
<b>TOP-216HB</b>		24.0	0.2	0.7	1.5	1.5	1.5	28.8	-	0.5	1.2	1.5	1.5
<b>TOP-220HB</b>		30.0	-	0.4	1.2	1.2	1.2	36.0	-	0.3	0.9	1.2	1.2

- Test oil : ISO-VG46/Oil temperature : 40C
- TOP-2HB is the updated series of TOP-2HA. It is also compatible with old series in performance and mounting dimensions. Only the port type was changed from G to Rc type.

## Specifications

Model	Item	Motor speed 50Hz 1500min <sup>-1</sup>			Motor speed 60Hz 1800min <sup>-1</sup>				
		Theoretical discharge (ℓ/min)	Max. pressure for motor output (MPa)			Theoretical discharge (ℓ/min)	Max. pressure for motor output (MPa)		
			200W	400W	750W		200W	400W	750W
<b>TOP-203HT</b>		4.2	0.7	0.7	0.7	5.0	0.7	0.7	0.7
<b>TOP-204HT</b>		6.0	0.7	0.7	0.7	7.2	0.7	0.7	0.7
<b>TOP-206HT</b>		9.0	0.7	0.7	0.7	10.8	0.6	0.7	0.7
<b>TOP-208HT</b>		12.0	0.6	0.7	0.7	14.4	0.4	0.7	0.7
<b>TOP-210HT</b>		15.0	0.5	0.7	0.7	18.0	0.3	0.7	0.7
<b>TOP-212HT</b>		18.0	0.4	0.7	0.7	21.6	-	0.7	0.7
<b>TOP-216HT</b>		24.0	0.3	0.7	0.7	28.8	-	0.6	0.7
<b>TOP-220HT</b>		30.0	-	0.6	0.7	36.0	-	0.5	0.7

- Test oil: ISO-VG2/Oil temperature: 40C

Trochoid™ Pump is a registered trademark of Nippon Oil Pump Co.,Ltd in Japan and other countries.

Small capacity

Small to medium capacity

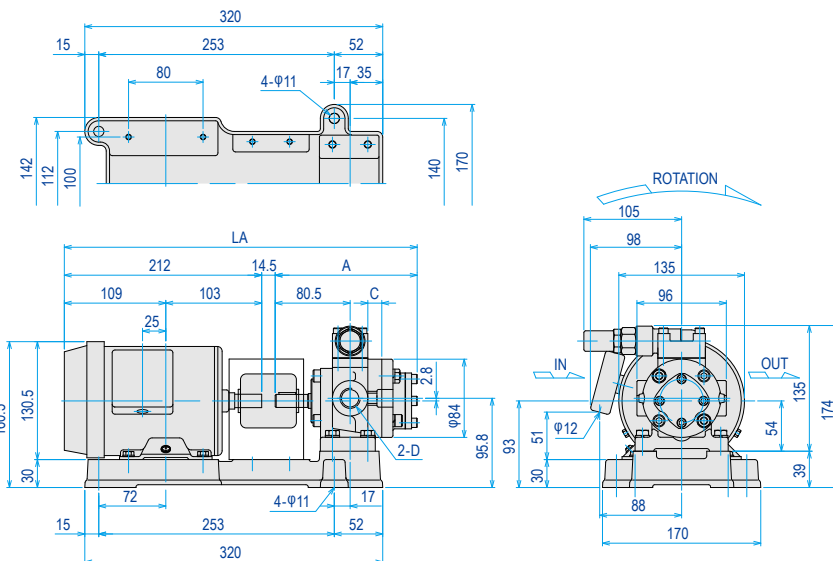
Medium capacity

Large capacity

Others

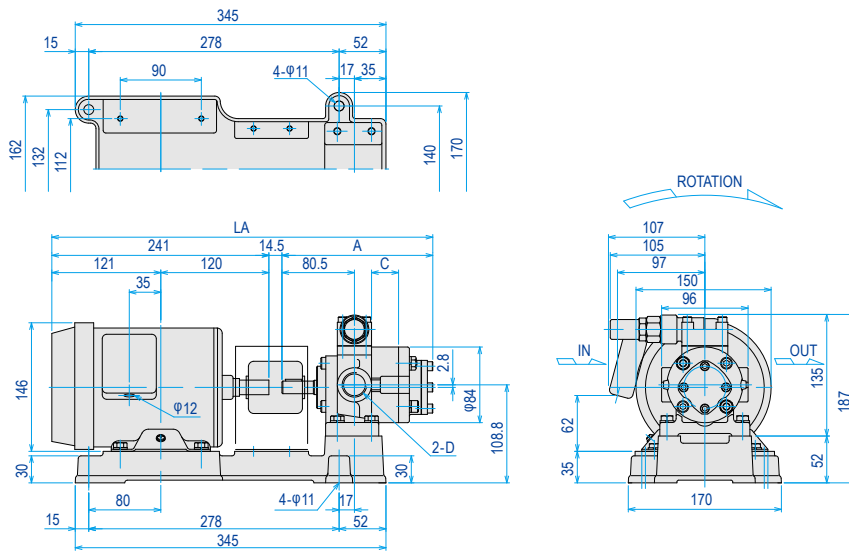
■ Dimensions (Typical) for 2MB

Model : TOP-2MBT200-2\*\*HBVB-\*\* / TOP-2MBT200-2\*\*HTVB



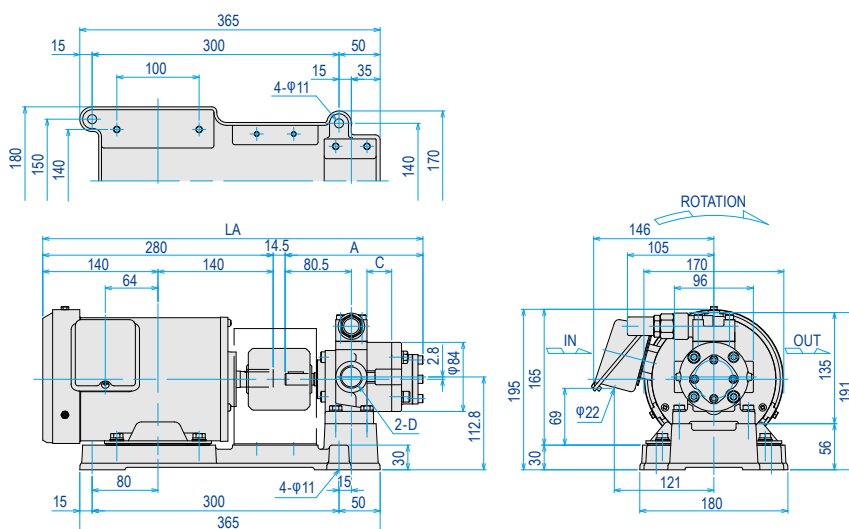
Model	Item	LA	A	C	D
203		371	144.5	7	Rc 1/2
204		374	147.5	10	
206		379	152.5	15	
208		384	157.5	20	
210		389	162.5	25	Rc 3/4
212		394	167.5	30	
216		404	177.5	40	

Model : TOP-2MBT400-2\*\*HBVB-\*\* / TOP-2MBT400-2\*\*HTVB



Model	Item	LA	A	C	D
203		400	144.5	7	Rc 1/2
204		403	147.5	10	
206		408	152.5	15	
208		413	157.5	20	
210		418	162.5	25	Rc 3/4
212		423	167.5	30	
216		433	177.5	40	
220		443	187.5	50	

Model : TOP-2MBT750-2\*\*HBVB-\*\* IE3 / TOP-2MBT750-2\*\*HTVB IE3

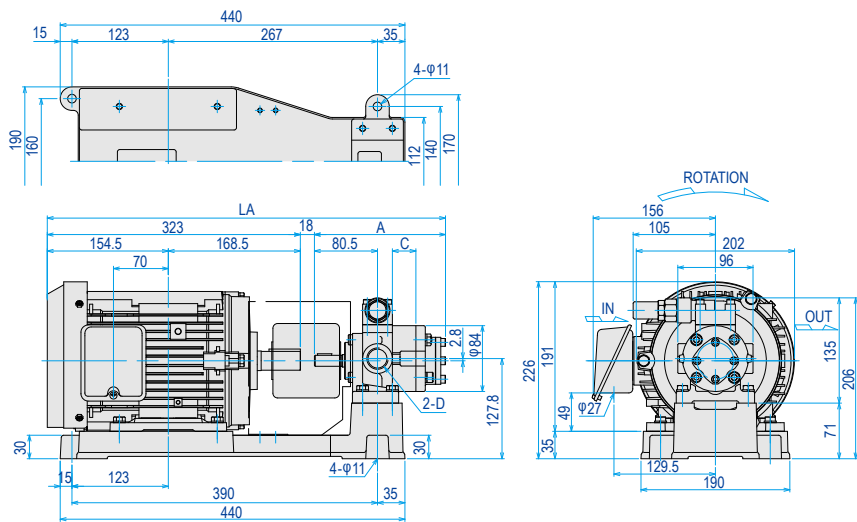


Model	Item	LA	A	C	D
203		439	144.5	7	Rc 1/2
204		442	147.5	10	
206		447	152.5	15	
208		452	157.5	20	
210		457	162.5	25	Rc 3/4
212		462	167.5	30	
216		472	177.5	40	
220		482	187.5	50	

Any disassembly or alteration of the product will void the warranty.

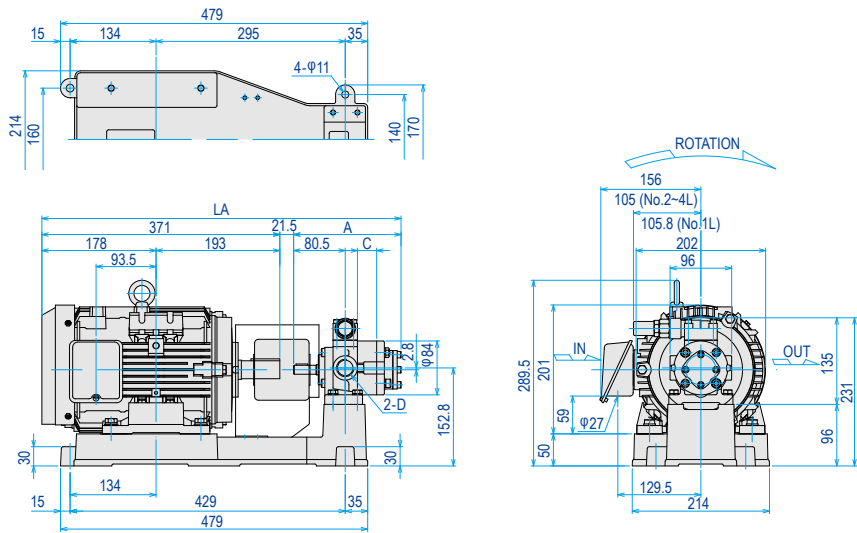
■ Dimensions (Typical) for 2MB

Model : TOP-2MBT1500-2\*\*HBVB-\*\* IE3 / TOP-2MBT1500-2\*\*HTVB IE3



Model	Item	LA	A	C	D
203		485.5	144.5	7	Rc 1/2
204		488.5	147.5	10	
206		493.5	152.5	15	
208		498.5	157.5	20	
210		503.5	162.5	25	Rc 3/4
212		508.5	167.5	30	
216		518.5	177.5	40	
220		528.5	187.5	50	

Model : TOP-2MBT2200-2\*\*HBVB-\*\* IE3 / TOP-2MBT2200-2\*\*HTVB IE3



Model	Item	LA	A	C	D
203		500	144.5	7	Rc 1/2
204		540	147.5	10	
206		545	152.5	15	
208		550	157.5	20	
210		555	162.5	25	Rc 3/4
212		560	167.5	30	
216		570	177.5	40	
220		580	187.5	50	