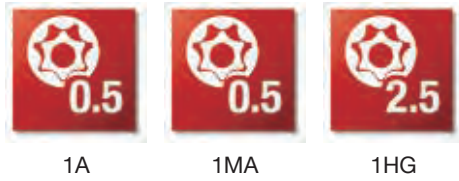


# 1A/1MA/1HG

(PUMPHEAD)



## Model Numbering System

TOP-1①A②③-④

**Model**

10A/11A/  
12A/13A

**Rotation Direction**

Note: When viewed from pump shaft end  
Non: Counter-clockwise  
R: Clockwise

**Relief Valve**

Non: No valve  
VB: With VB Valve  
(Set pressure: Cracking 0.3 MPa)

**Seal & Gasket Options**

(See P131 for "Seal and gasket material option list")  
Non: Standard material  
VF/VV/US

(FOR COUPLED WITH 1ME MOTOR)

## Model Numbering System

TOP-1①MA②③-④

**Model**

10MA/11MA/  
12MA/13MA

**Rotation Direction**

Note: When viewed from pump shaft end  
Non: Counter-clockwise  
R: Clockwise

**Relief Valve**

Non: No valve  
VB: With VB Valve  
(Set pressure: Cracking 0.3 MPa)

**Seal & Gasket Options**

(See P131 for "Seal and gasket material option list")  
Non: Standard material  
VF/VV/US

## Specifications

Model \ Item	Theoretical displacement (cm <sup>3</sup> /rev)	Theoretical discharge (ℓ/min)		Max. pressure (MPa)	Max. revolution (min <sup>-1</sup> )	Approx. Weight (Kg)
		1500min <sup>-1</sup>	1800min <sup>-1</sup>			
<b>TOP-10A</b>	0.8	1.2	1.4	0.5	3000	0.5 (0.8)
<b>TOP-11A</b>	1.5	2.2	2.7	0.5	2000	0.5 (0.8)
<b>TOP-12A</b>	2.5	3.7	4.5	0.5	1800	0.6 (0.9)
<b>TOP-13A</b>	4.5	6.7	8.1	0.5	1800	0.8 (1.1)

- Test oil: ISO-VG46/Oil temperature: 40C
- Values in ( ) show approx. weights of the pump when the valve is attached.

(HIGH PRESSURE TYPE)

## Model Numbering System

TOP-1①HG②③-④

**Motor Size**

11HG/12HG

**Rotation Direction**

Note: When viewed from pump shaft end  
Non: Counter-clockwise  
R: Clockwise

**Attachment**

Non: No angle plate  
I: With angle plate

**Seal & Gasket Options**

(See P131 for "Seal and gasket material option list")  
Non: Standard material  
VF/VV

## Specifications

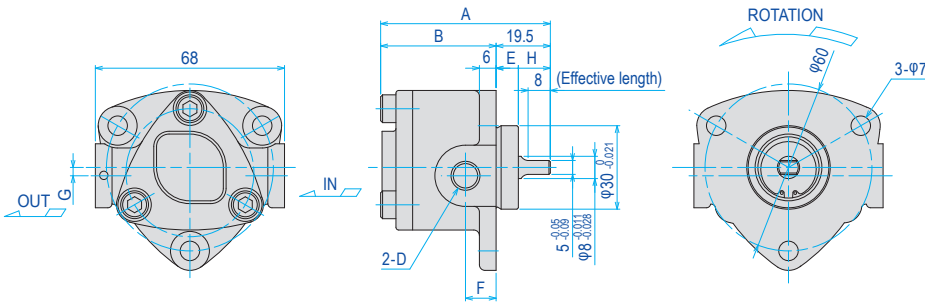
Model \ Item	Theoretical displacement (cm <sup>3</sup> /rev)	Theoretical discharge (ℓ/min)		Max. pressure (MPa)	Max. revolution (min <sup>-1</sup> )	Approx. Weight (Kg)
		1500min <sup>-1</sup>	1800min <sup>-1</sup>			
<b>TOP-11HG</b>	1.5	2.2	2.7	2.5	3000	1.4
<b>TOP-12HG</b>	2.5	3.7	4.5	2.5	2500	1.5

- Test oil: ISO-VG46/Oil temperature: 40C

Any disassembly or alteration of the product will void the warranty.

■ Dimensions (Typical) for 1A

Model : TOP-1★A-★★

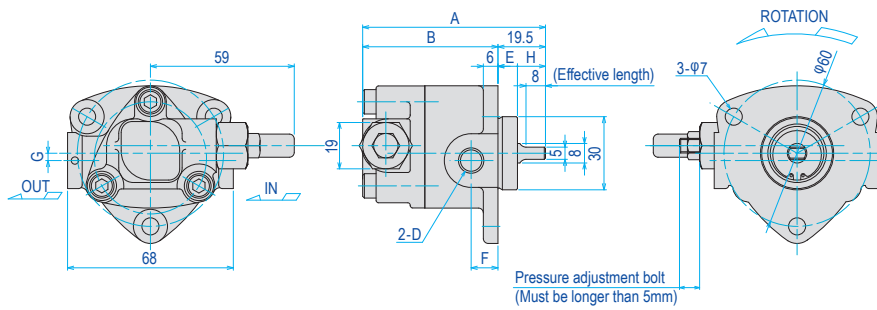


Model \ Item	A	B	D	E
10	55	35.5	Rc 1/8	8
11	55	35.5	Rc 1/8	8
12	61	41.5	Rc 1/4	8
13	76	56.5	Rc 3/8	5

Model \ Item	F	G	H
10	11	3	11.5
11	11	3	11.5
12	11	3	11.5
13	14	5.5	14.5

Model : TOP-1★AVB-★★

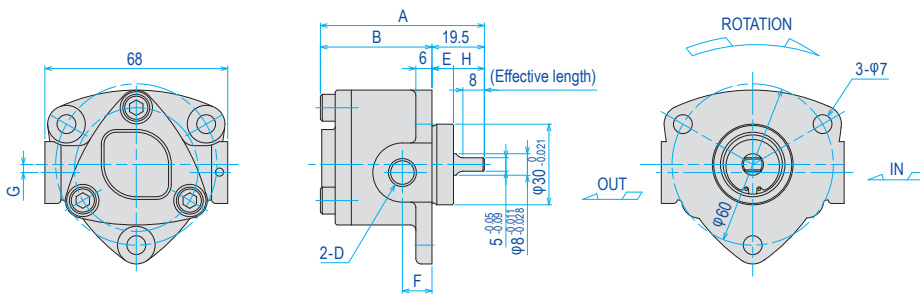


Model \ Item	A	B	D	E
10	69	49.5	Rc 1/8	8
11	69	49.5	Rc 1/8	8
12	75	55.5	Rc 1/4	8
13	90	70.5	Rc 3/8	5

Model \ Item	F	G	H
10	11	3	11.5
11	11	3	11.5
12	11	3	11.5
13	14	5.5	14.5

Model : TOP-1★AR-★★

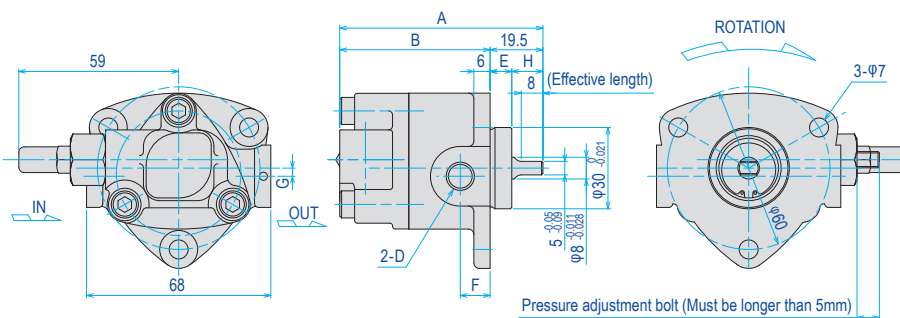


Model \ Item	A	B	D	E
10	55	35.5	Rc 1/8	8
11	55	35.5	Rc 1/8	8
12	61	41.5	Rc 1/4	8
13	76	56.5	Rc 3/8	5

Model \ Item	F	G	H
10	11	3	11.5
11	11	3	11.5
12	11	3	11.5
13	14	5.5	14.5

Model : TOP-1★ARVB-★★



Model \ Item	A	B	D	E
10	69	49.5	Rc 1/8	8
11	69	49.5	Rc 1/8	8
12	75	55.5	Rc 1/4	8
13	90	70.5	Rc 3/8	5

Model \ Item	F	G	H
10	11	3	11.5
11	11	3	11.5
12	11	3	11.5
13	14	5.5	14.5