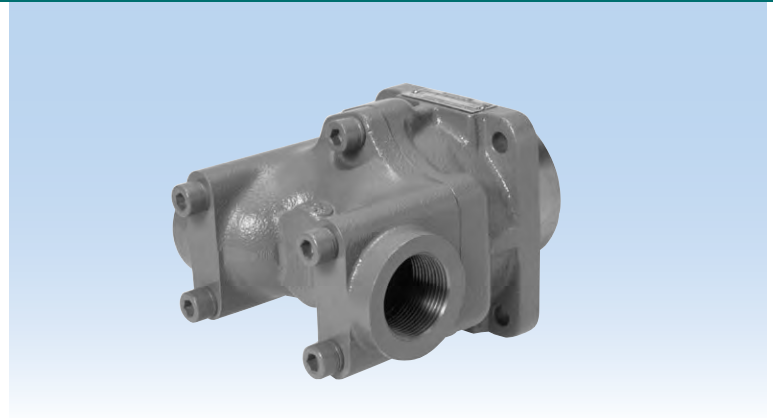
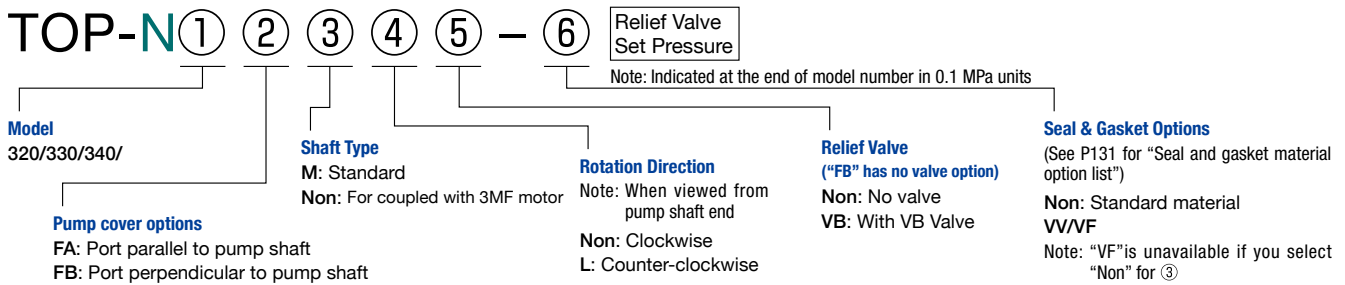


N3F

(PUMPHEAD)



Model Numbering System



Specifications

Note: The value "*" can not always be achieved as it is subject to individual operating conditions and specifications.

Model	Item	Theoretical displacement (cm ³ /rev)	Theoretical discharge (ℓ/min)		Max. pressure (MPa)	Max. revolution (min ⁻¹)	Approx. Weight (Kg)
			1500min ⁻¹	1800min ⁻¹			
TOP-N320	FAM	26	39.0	46.8	2.5	1800	8.0
	FAMVB						10.5
	FBM						9.0
TOP-N330	FAM	39	58.5	70.2	2.5*	1800	8.0
	FAMVB						10.5
	FBM						9.0
TOP-N340	FAM	52	78.0	93.6*	2.0*	1800*	8.0
	FAMVB						10.5
	FBM						9.0

- Test oil: ISO-VG2/Oil temperature: 40C
- TOP-N3F is the updated series of TOP-3F. It is also compatible with the old series in performance and mounting dimensions.
- N3FAM and N3FBM can not be mounted on 3MF motors.

Small capacity

Small to medium capacity

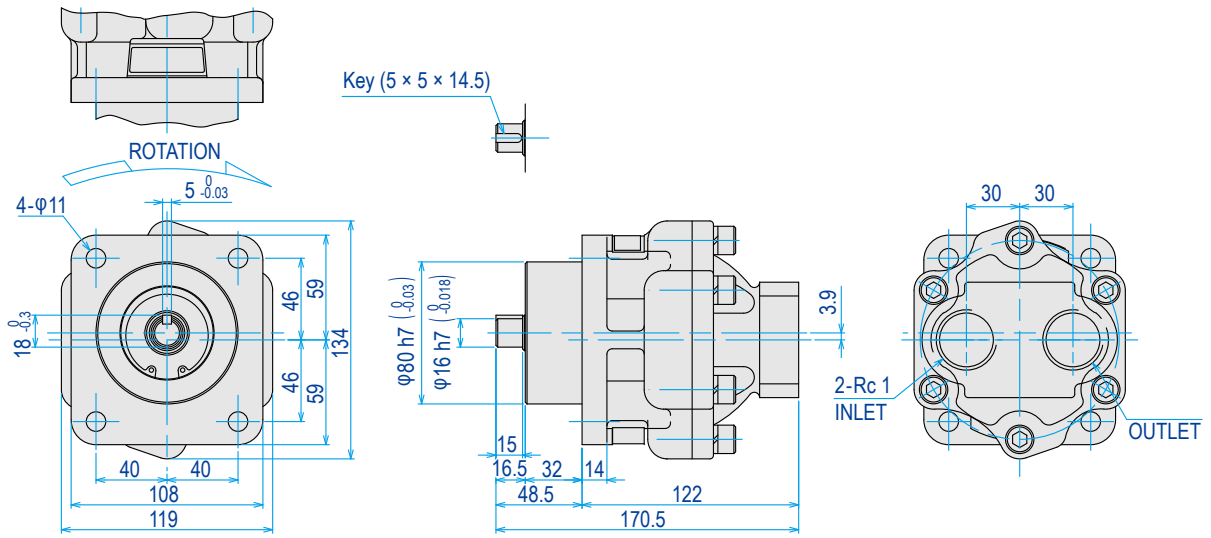
Medium capacity

Large capacity

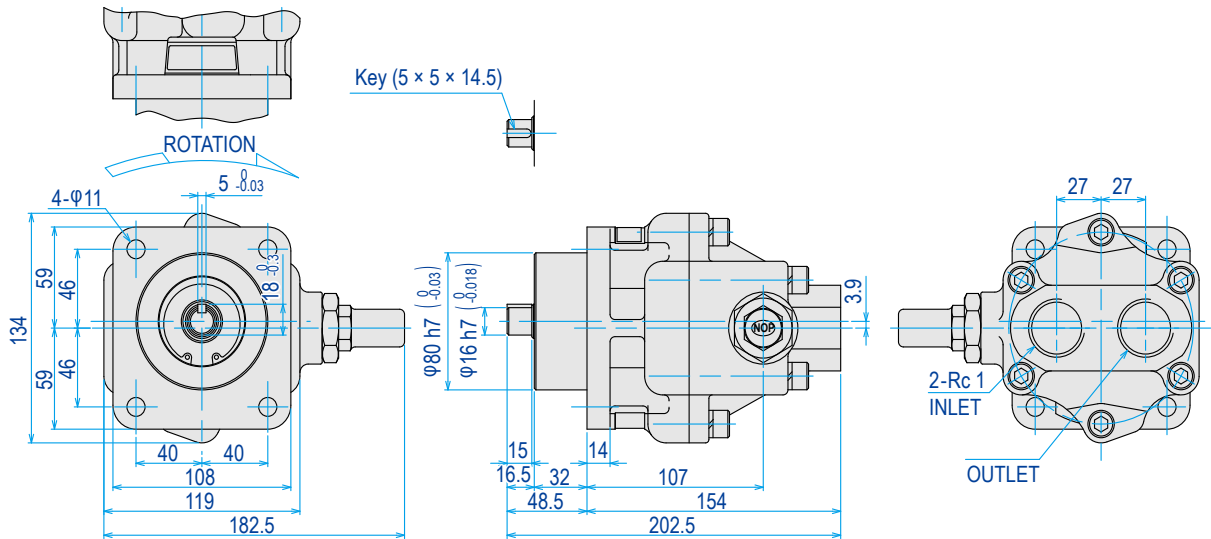
Others

■ Dimensions (Typical) for N3F

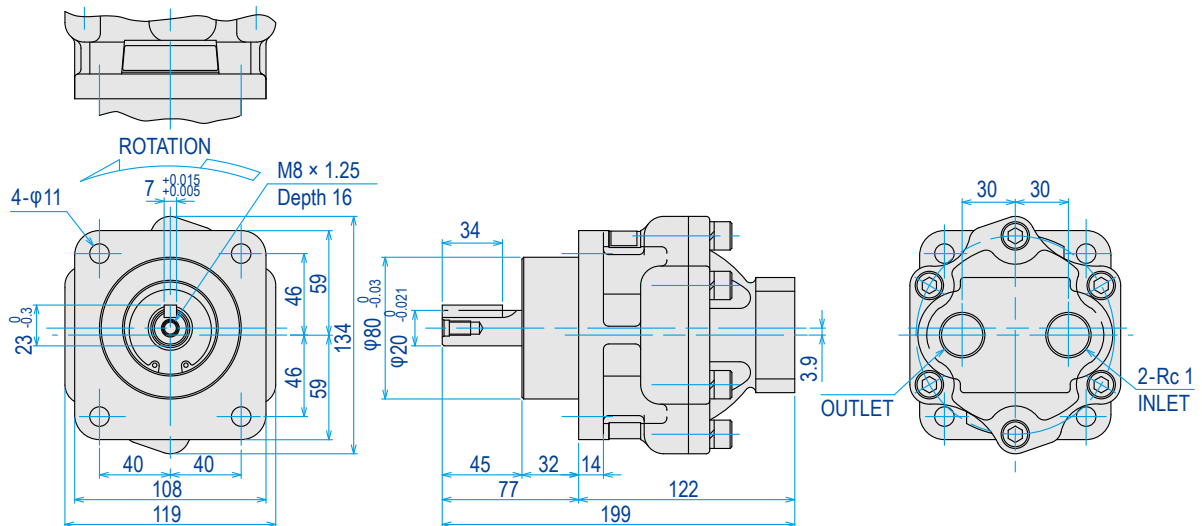
Model : TOP-N3**FA-**



Model : TOP-N3**FAVB-**



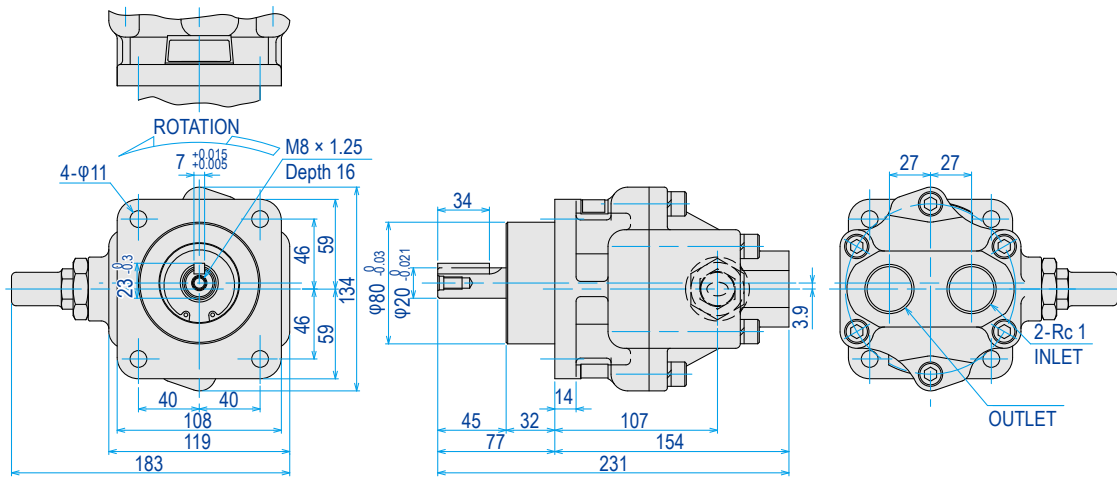
Model : TOP-N3**FAML-**



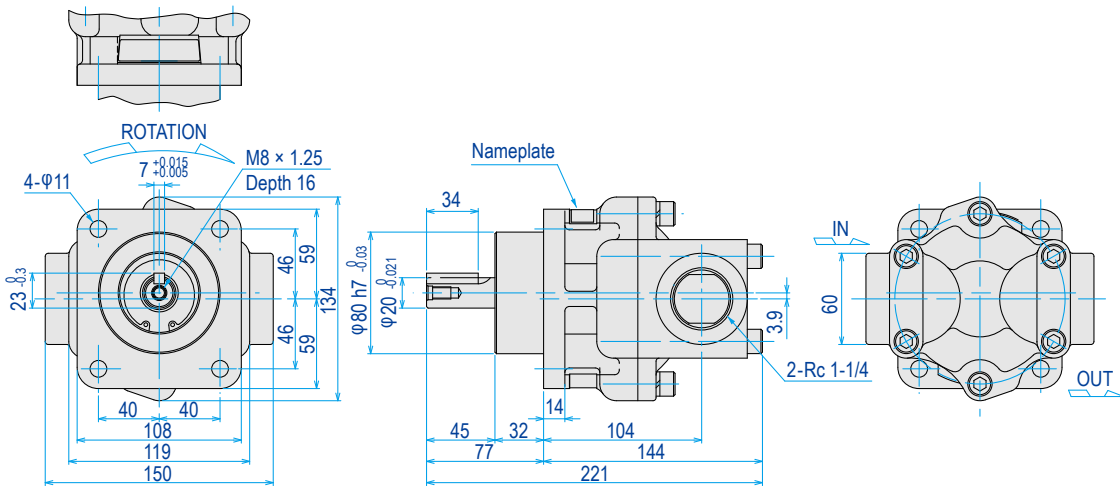
Any disassembly or alteration of the product will void the warranty.

■ Dimensions (Typical) for N3F

Model : TOP-N3**FAMLVB-**



Model : TOP-N3**FBM-*



Model : TOP-N3**FBML-*

